

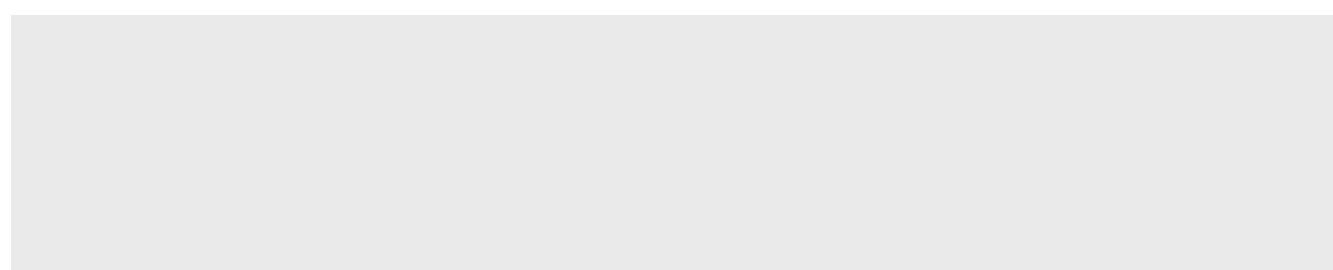
eloma

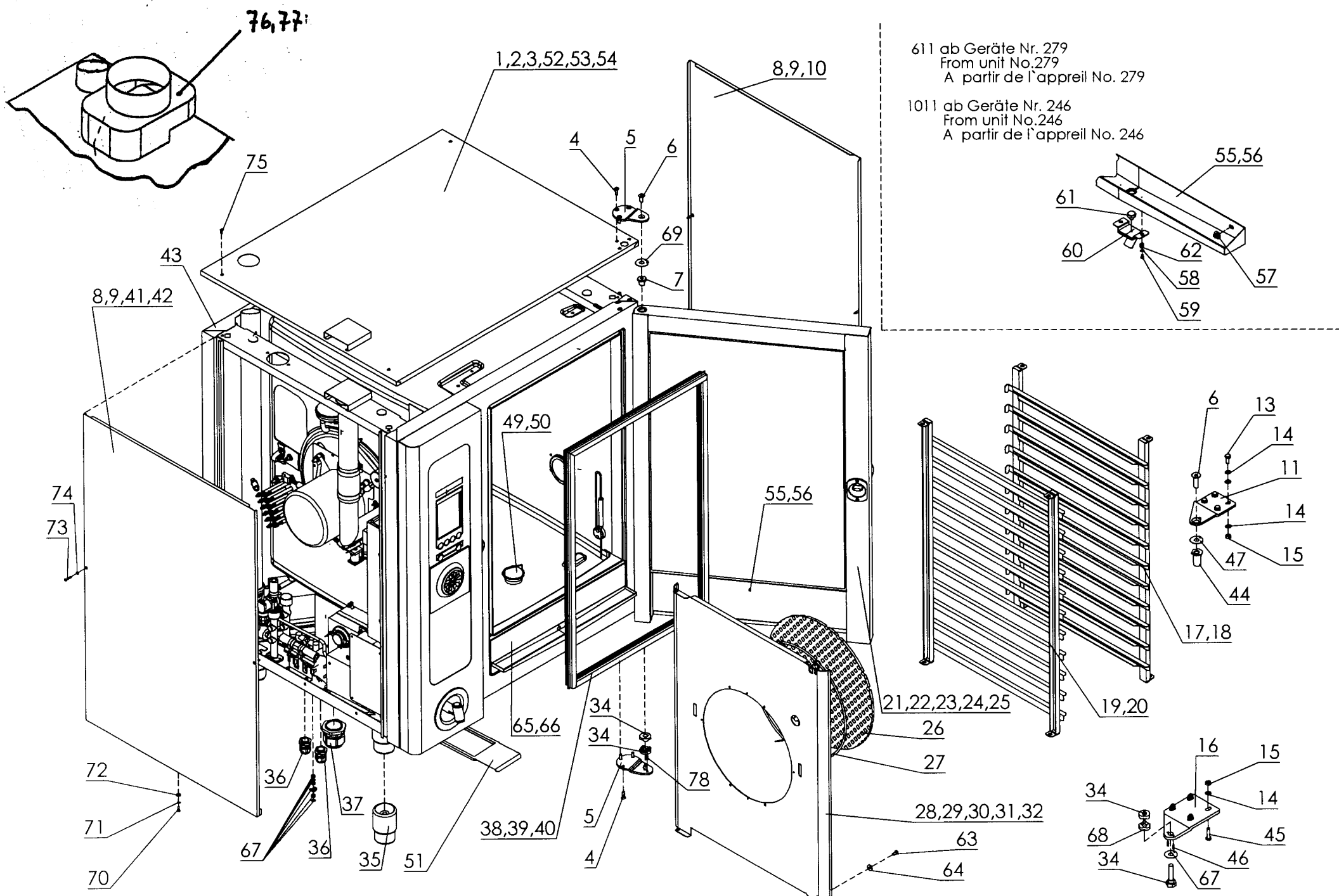
Sparepart list

Combi Steamers Multimax A-B

Genius

Genius Gaz





611 ab Geräte Nr. 279
 From unit No.279
 A partir de l'appareil No. 279

1011 ab Geräte Nr. 246
 From unit No.246
 A partir de l'appareil No. 246

21,22,23,24,25

26

27

28,29,30,31,32

63

64

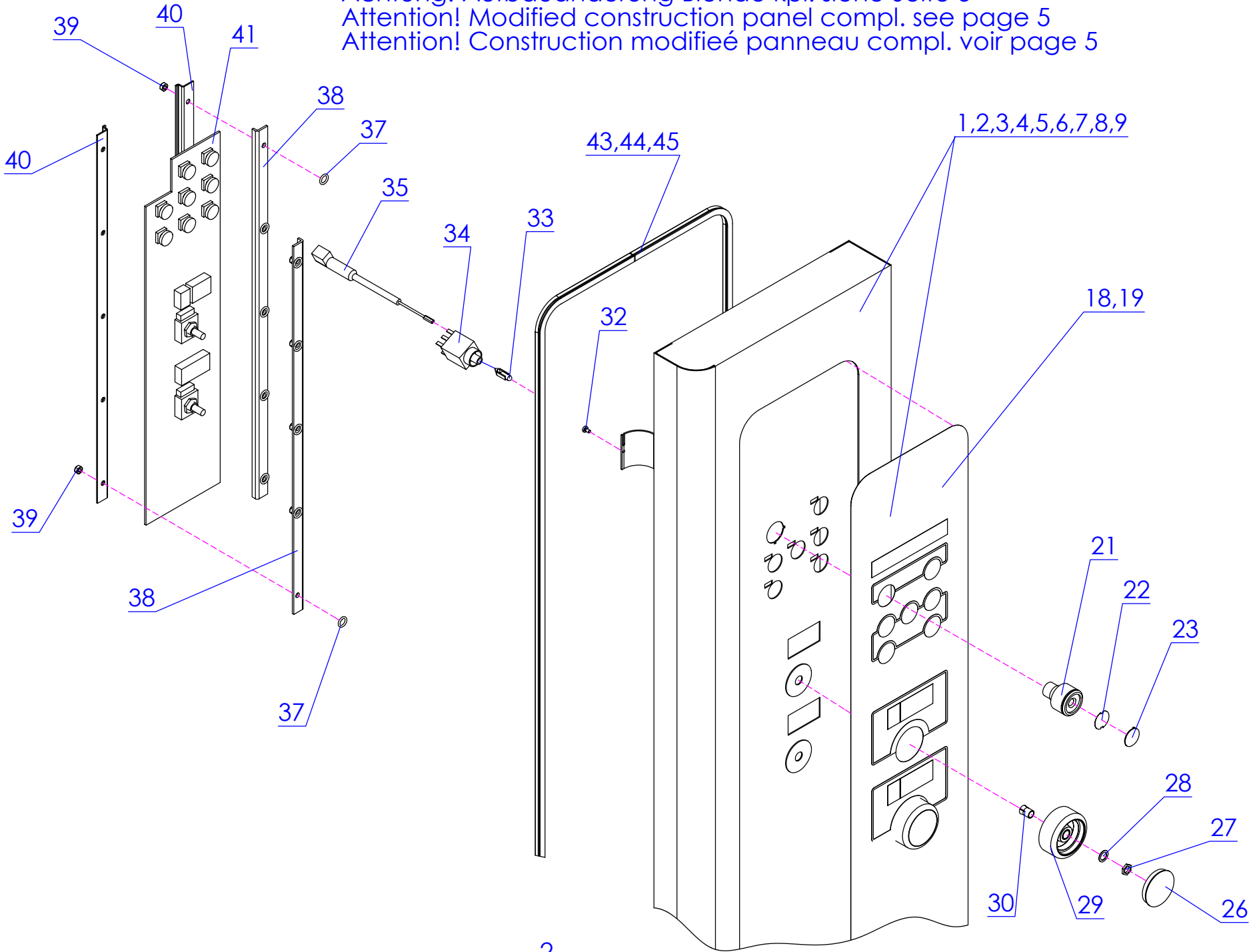
1011 Pos. 26 entfällt ab Geräte Nr. 916
 Part No. 26 dropped from unit No. 916
 Pièce No. 26 supprimées à partir de l'appareil No. 916

MA /MB/Genius /Genius Gaz/ 6-11 10-11 20-11

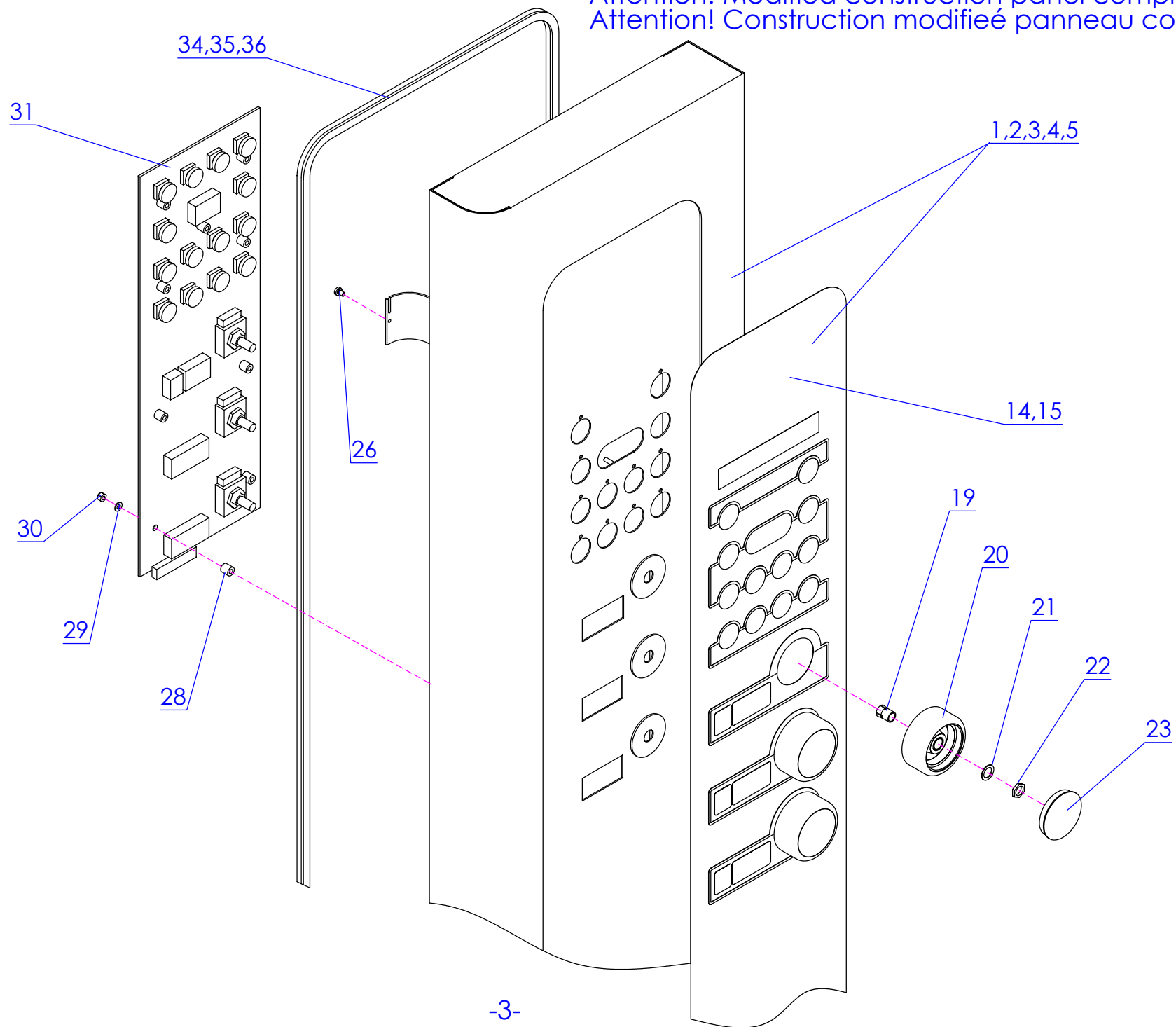
Pos.	Article no.	Description	Genius Gaz	Multimax A	Multimax B	Genius	Autoclean	6-11	10-11	20-11
1	741604	Case lid 6/10-11 hinged right d2k		●	●	●	●	●	●	
2	740942	Case lid 6/10-11 hinged left d2k		●	●	●	●	●	●	
3	741825	Case lid 20-11 d2k		●	●	●	●			●
4	741175	Countersunk screw M6x20 DIN 7991	●	●	●	●	●	●	●	
5	768413	Hing but compl. d2k 610-11	●	●	●	●	●	●	●	
6	e503081	Countersunk screw DIN7991 M8 x 20, V2	●	●	●	●	●	●	●	
7	741434	Cam, door hinge topside 6/10-11 d2k	●	●	●	●	●	●	●	
8	741159	Side panel 6-11 d2k	●	●	●	●	●	●		
9	741655	Side panel 10-11 d2k	●	●	●	●	●		●	
10	741043	Side panel 20-11 d2k	●	●	●	●	●			●
11	745936	Upper hinge butt 2011/1221/	●	●	●	●	●			●
13	e500046	Hexagon cap screw ISO4017 M8 x 20 V2	●	●	●	●	●			●
14	e510016	Toothed disk DIN 6797 J 8,4 V2A	●	●	●	●	●			●
15	e505033	Hexagonal nut ISO 4032 M8 V2A DI	●	●	●	●	●			●
16	772437	Lower hinge butt 20-11,12/20	●	●	●	●	●			●
17	740292	Hang-in rack 6-11 d2k right GN	●	●	●	●	●	●		
18	740357	Hang-in rack 1011 d2k right GN	●	●	●	●	●		●	
19	740306	Hang-in rack 6-11 d2k left GN	●	●	●	●	●	●		
20	740365	Hang-in rack 1011 d2k left GN	●	●	●	●	●		●	
21	752002	Door 611 hinged right d2k	●	●	●	●	●	●		
22	752010	Door 611 hinged left d2k	●	●	●	●	●	●		
23	752169	Door 1011 hinged right d2k	●	●	●	●	●		●	
24	752371	Door 1011 hinged left d2k	●	●	●	●	●		●	
25	755567	Door 2011 hinged right d2k	●	●	●	●	●			●
26	760749	Fat filter 6/11 - 20/11 d2k	●	●	●	●	●	●	●	●
27	e418021	Protective grid, MD/MMD 20-21 D 35	●	●	●	●	●	●	●	●
28	743291	Air conducting sheet cpl. right 6-11 d	●	●	●	●	●	●		
29	740438	Air conducting sheet left compl. 6-11	●	●	●	●	●	●		
30	743305	Air conducting sheet comp right 10-11	●	●	●	●	●		●	
31	740837	Air conducting sheet left compl. 10-11	●	●	●	●	●		●	
32	746029	Air conducting sheet 2011 d2k	●	●	●	●	●			●
34	e401033	Cam disk, door bearing 20-11 / 20-11	●	●	●	●	●	●	●	●
35	744824	Foot d2k 6/10-11	●	●	●	●	●	●	●	
36	e306005	Screwing PG 16, plastic	●	●	●	●	●	●	●	●
37	e306007	Screwing PG 36, grey with counte	●	●	●	●	●	●	●	●
38	742368	Door sealing silicon frame 6-11	●	●	●	●	●	●		
39	742376	Door sealing, silicon frame 10-11	●	●	●	●	●		●	
40	742384	Door sealing, silicon frame 20-11	●	●	●	●	●			●

Pos.	Article no.	Description	Genius Gaz	Multimax A	Multimax B	Genius	Autoclean	6-11	10-11	20-11
41	e475112	Motor compartment 12-21	●	●	●	●	●			●
42	741093	Side panel left 20-11 d2k	●	●	●	●	●			●
43	745049	Back wall 20-11 d2k	●	●	●	●	●			●
44	e412131	Eccentric bearing EB	●	●	●	●	●	●	●	
45	e500278	Hexagon cap screw M8x30 ISO 4017	●	●	●	●	●			●
46	e512066	Cylindrical pin DIN 7 4x6x12 Niro	●	●	●	●	●			●
47	e512039	Retaining plate - door bearing ED	●	●	●	●	●			●
49	e418054	Drain sieve ED 6/10-11	●	●	●	●	●	●	●	
50	e418053	Drain sieve ED 20-11/ 20-21/12-2	●	●	●	●	●			●
51	751782	Filter air shaft d2k	●	●	●	●	●	●	●	●
52	760455	Cover 61011 gas d2k hinged righ	●				●	●	●	
53	760447	Cover 61011 gas hinged left d2k	●				●	●	●	
54	771724	Housing lid 20-11 gas d2k	●				●			●
55	742198	Drip tray 61011 compl. d2k	●	●	●	●	●	●	●	●
56	751995	Drip tray assembled 61011 d2k	●	●	●	●	●	●	●	●
57	e505077	Disk nut M4 A 2	●	●	●	●	●	●	●	●
58	e508005	Washer DIN 125 A 3,2 V2A	●	●	●	●	●	●	●	●
59	e500191	Oval-head screw DIN 7985, I	●	●	●	●	●	●	●	●
60	744670	Plug drip tray 6/10-11 d2k	●	●	●	●	●	●	●	●
61	757926	Silicone gasket drip tray d2k	●	●	●	●	●	●	●	●
62	e416076	Pressure spring drip tray 6/10-11 d2k	●	●	●	●	●	●	●	●
63	e500044	Hexagon cap screw ISO4017 M6 x 12 V2	●	●	●	●	●	●	●	●
64	e508033	Washer DIN 9021 A 6,4 V2A	●	●	●	●	●	●	●	●
65	761087	Front cover compl. banquet sy	●	●	●	●	●	●	●	●
66	745693	Front cover compl. 61011 d2k	●	●	●	●	●	●	●	●
67	e600453	AG potential equalisation d2k	●	●	●	●	●	●	●	●
68	772453	Cam disk, bottom d2k 12/20-2	●	●	●	●	●			●
69	758868	Locking washer	●	●	●	●	●	●	●	●
70	e500196	mushroom head square neck bolt	●	●	●	●	●	●	●	●
71	e510013	Toothed disk DIN 6797 J 4,3 V2A	●	●	●	●	●	●	●	●
72	e508031	Washer DIN 9021 A 4,3 V2A	●	●	●	●	●	●	●	●
73	e500153	Oval flat-head screw M4 x 20 V2	●	●	●	●	●	●	●	●
74	e510012	Fan disk DIN 6798 V 4,3 V2A	●	●	●	●	●	●	●	●
75	e500178	Oval flat-head screw M4 x 12 V2	●	●	●	●	●	●	●	●
76	771538	Flow safeguard 1221 2011 2021 gas d	●							●
77	766682	Flow safeguard gas d2k	●					●	●	
78	757209	Cylindrical pin DIN 7 4m6x8 V2A	●	●	●	●	●	●	●	●

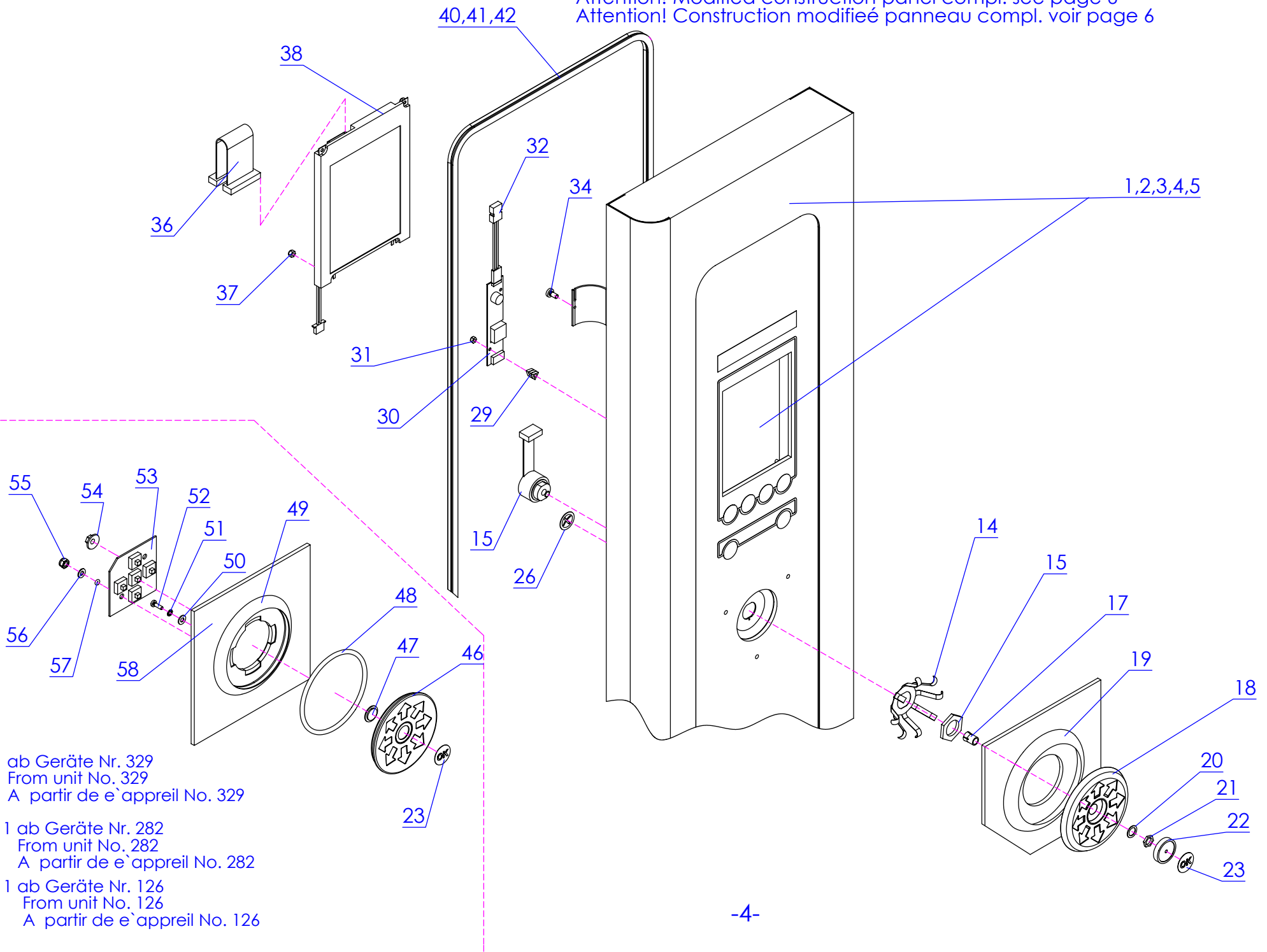
Achtung! Aufbauänderung Blende kpl. siehe Seite 5
Attention! Modified construction panel compl. see page 5
Attention! Construction modifiée panneau compl. voir page 5



Achtung! Aufbauänderung Blende kpl. siehe Seite 6
Attention! Modified construction panel compl. see page 6
Attention! Construction modifié panneau compl. voir page 6



Achtung! Aufbauänderung Blende kpl. siehe Seite 6
 Attention! Modified construction panel compl. see page 6
 Attention! Construction modifiée panneau compl. voir page 6

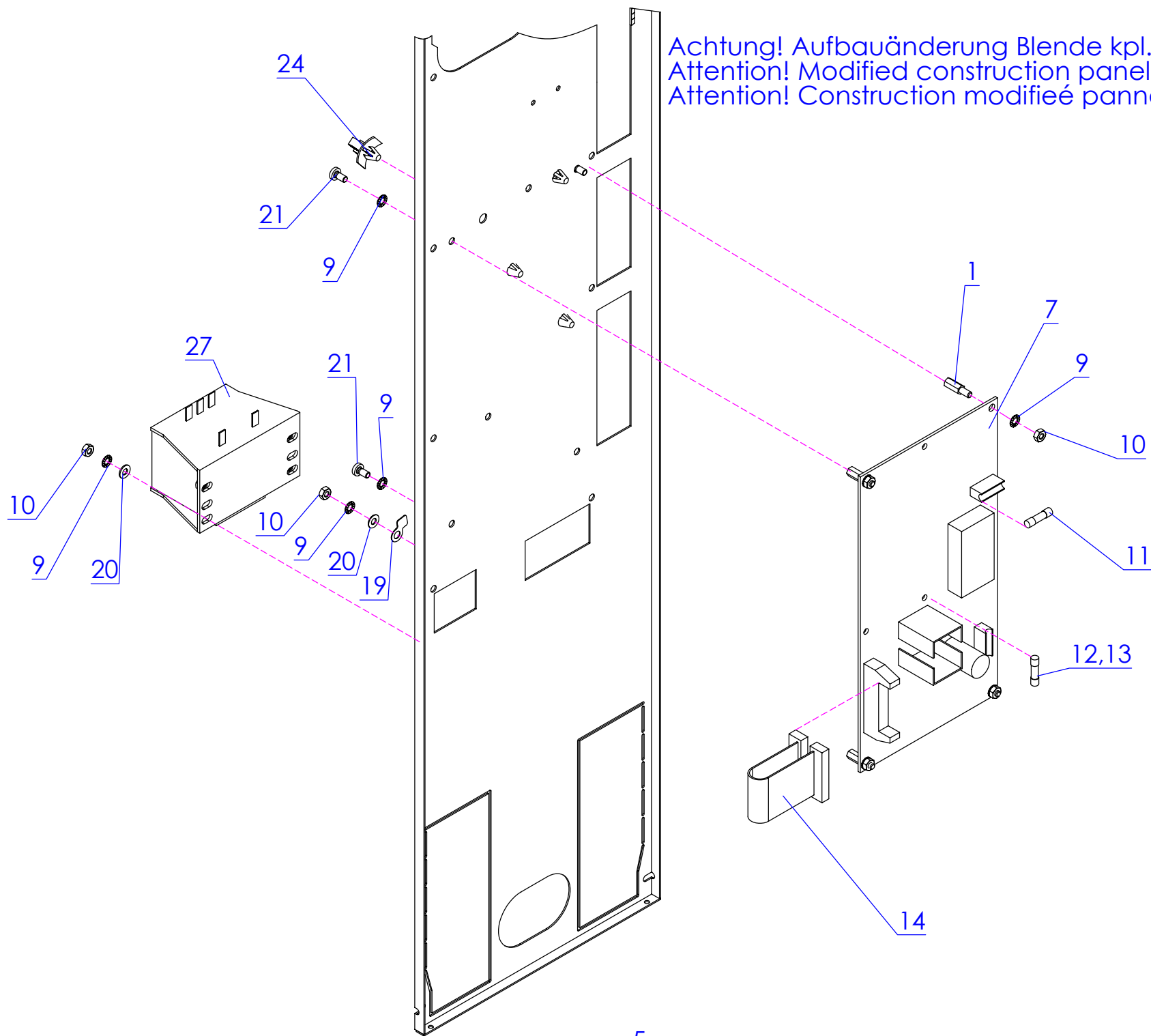


611 ab Geräte Nr. 329
 From unit No. 329
 A partir de e`appareil No. 329

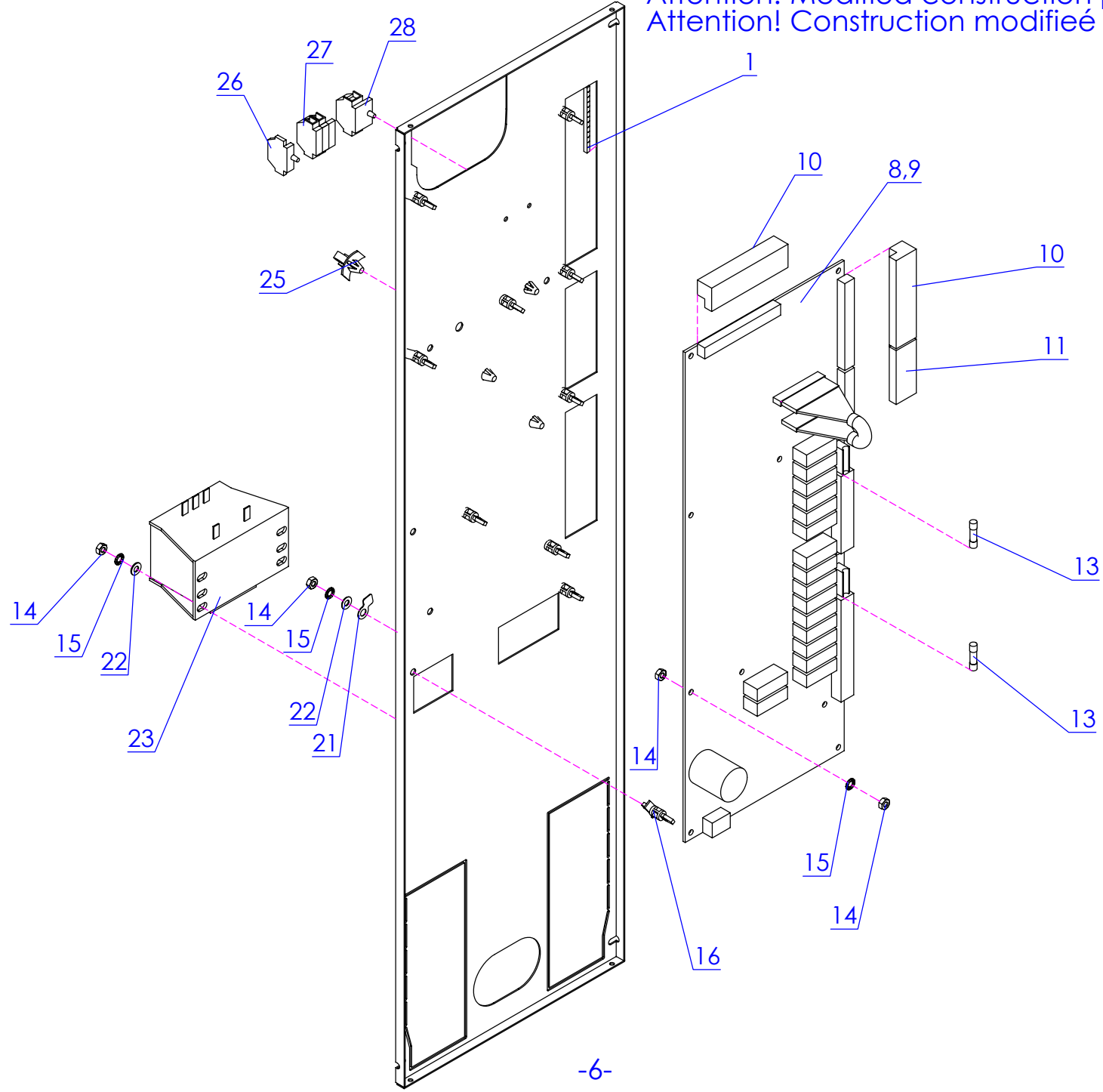
1011 ab Geräte Nr. 282
 From unit No. 282
 A partir de e`appareil No. 282

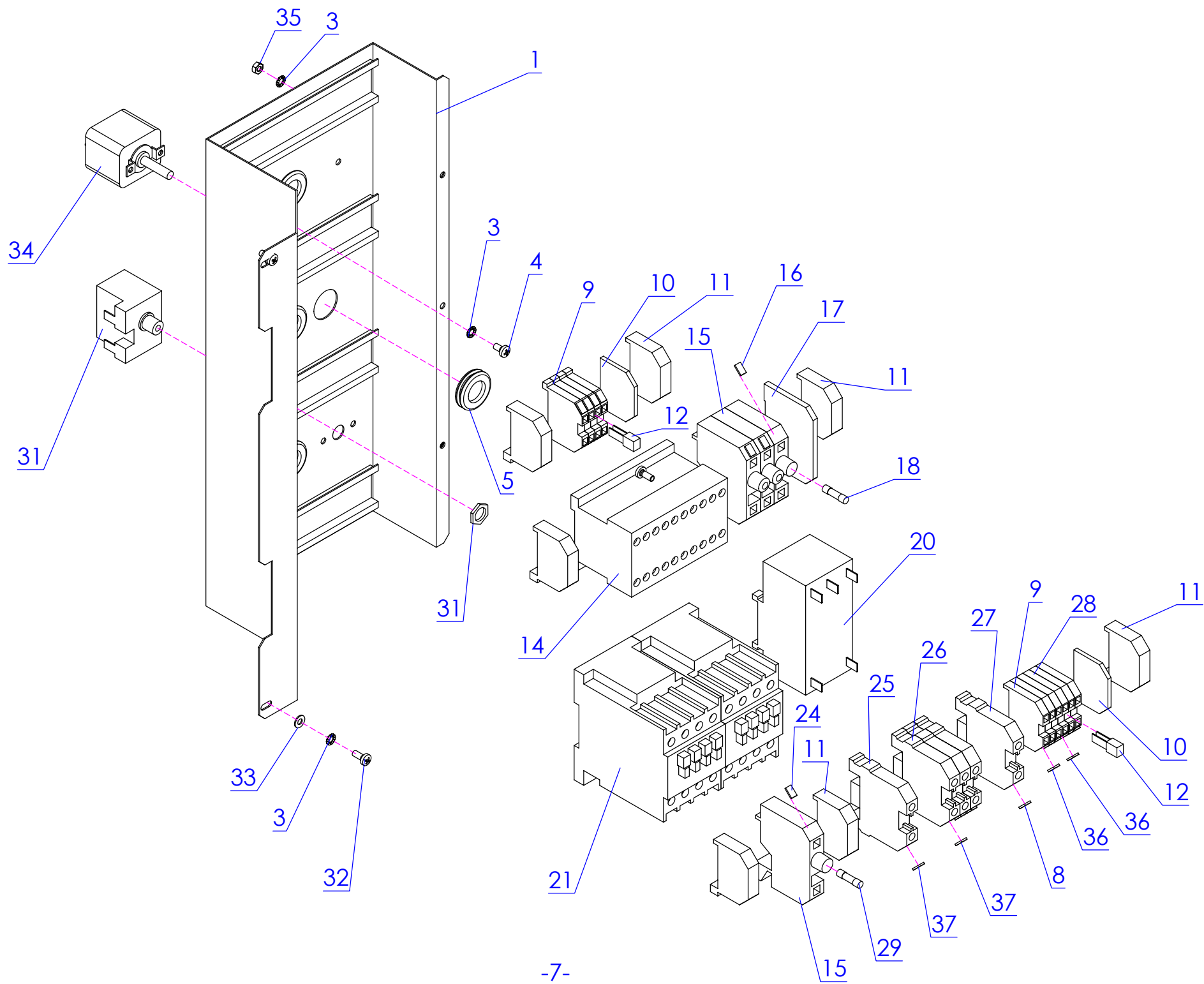
2011 ab Geräte Nr. 126
 From unit No. 126
 A partir de e`appareil No. 126

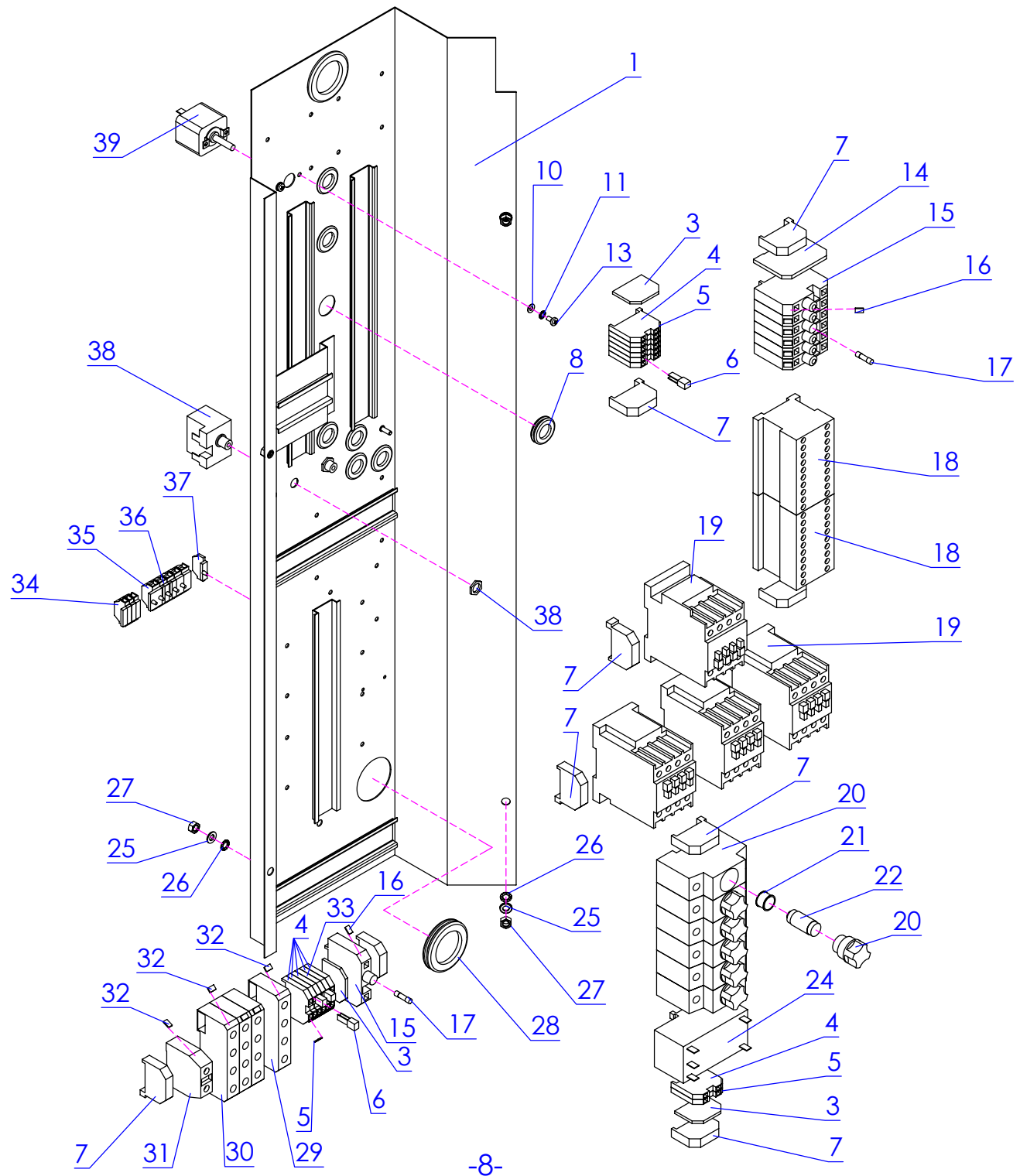
Achtung! Aufbauänderung Blende kpl. siehe Seite 2
Attention! Modified construction panel compl. see page 2
Attention! Construction modifié panneau compl. voir page 2

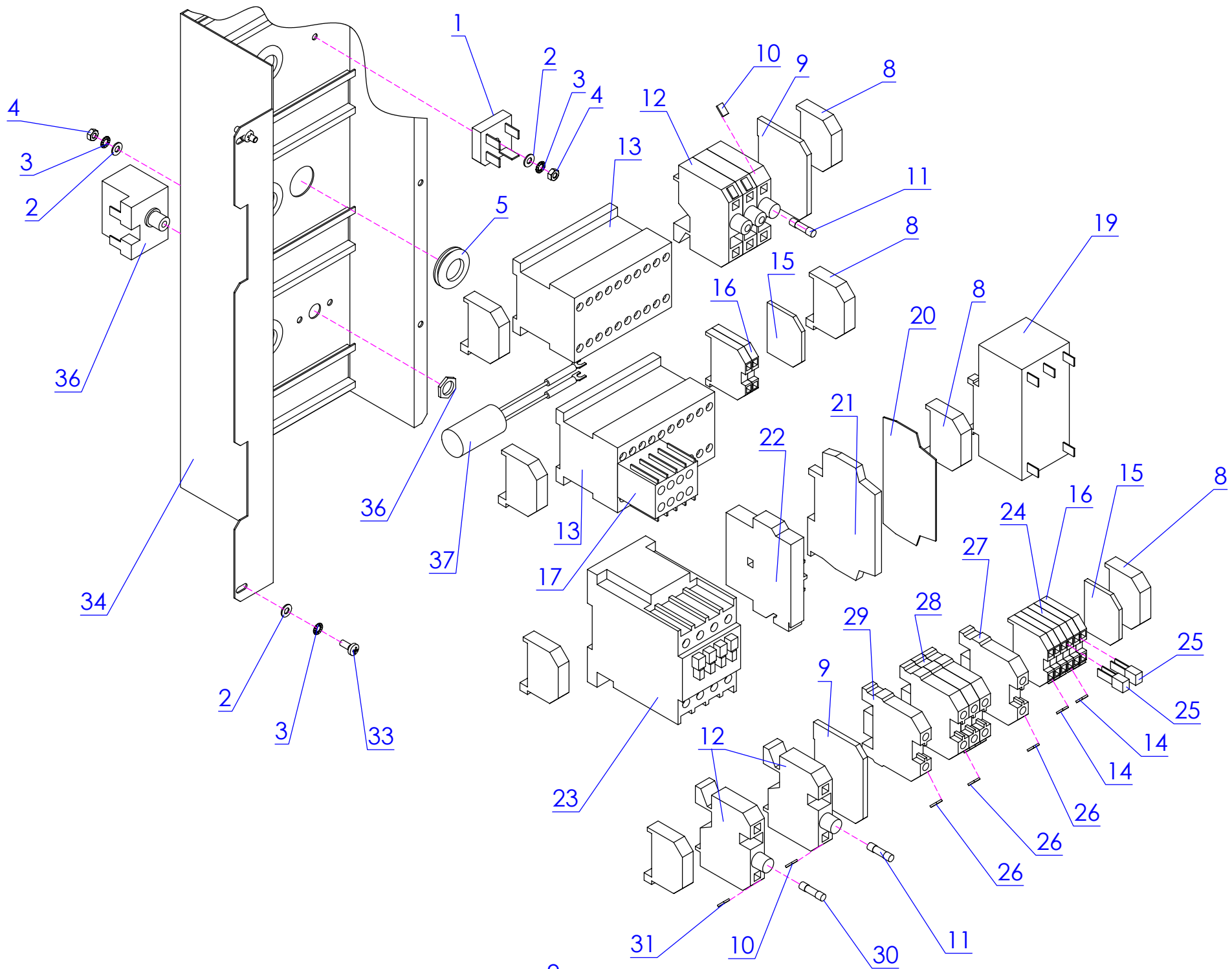


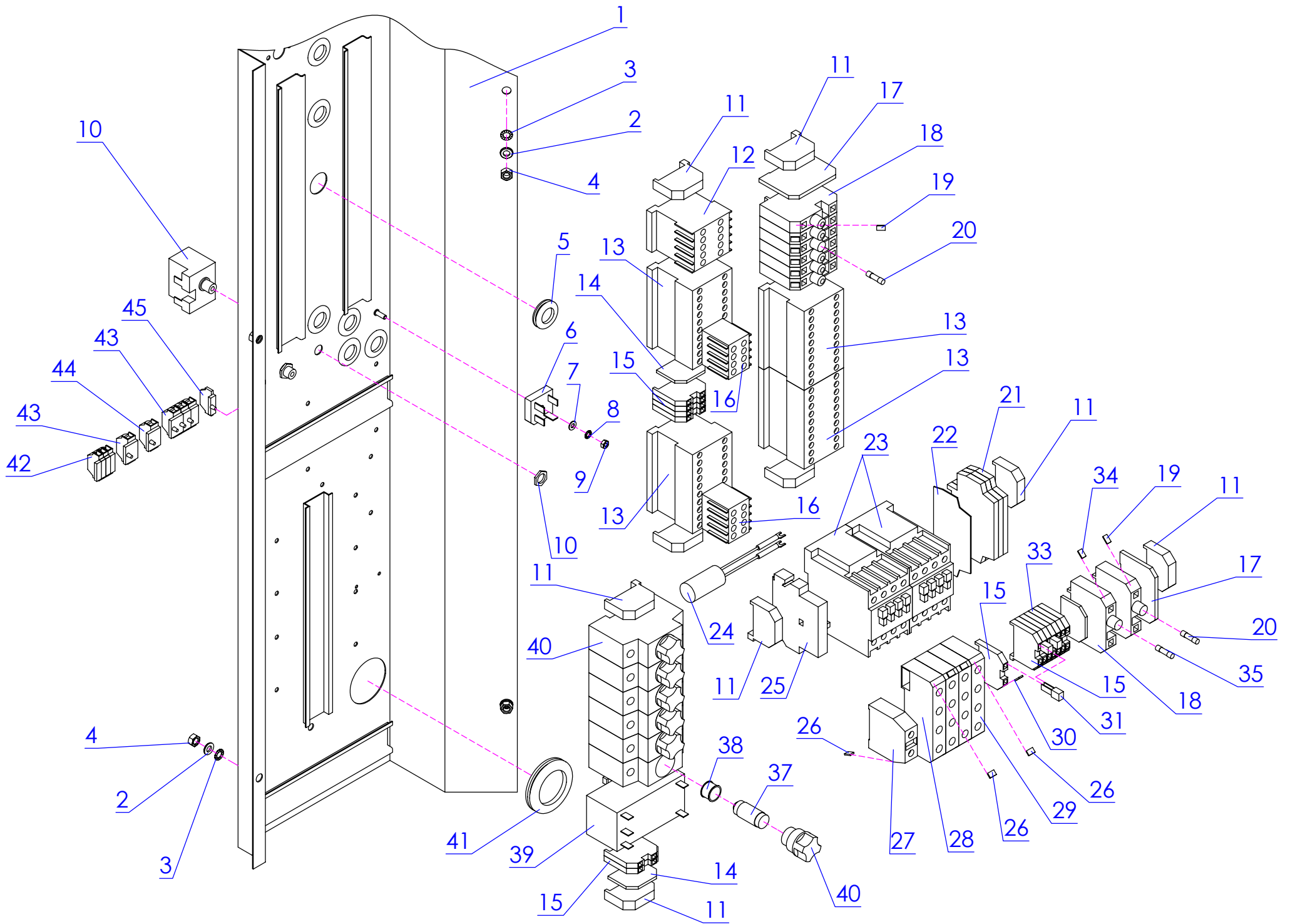
Achtung! Aufbauänderung Blende kpl. siehe Seite 3,4
Attention! Modified construction panel compl. see page 3,4
Attention! Construction modifié panneau compl. voir page 3,4

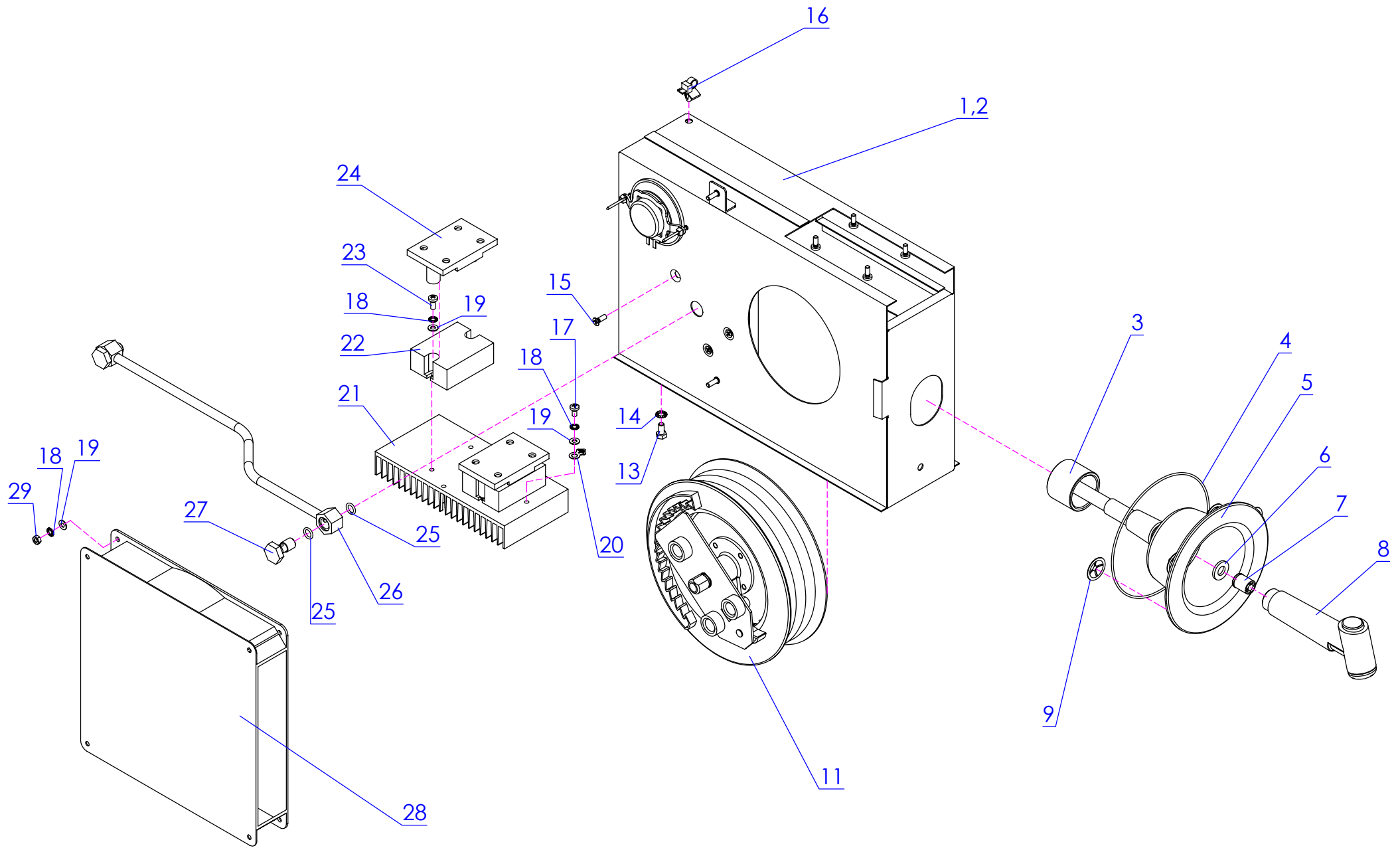


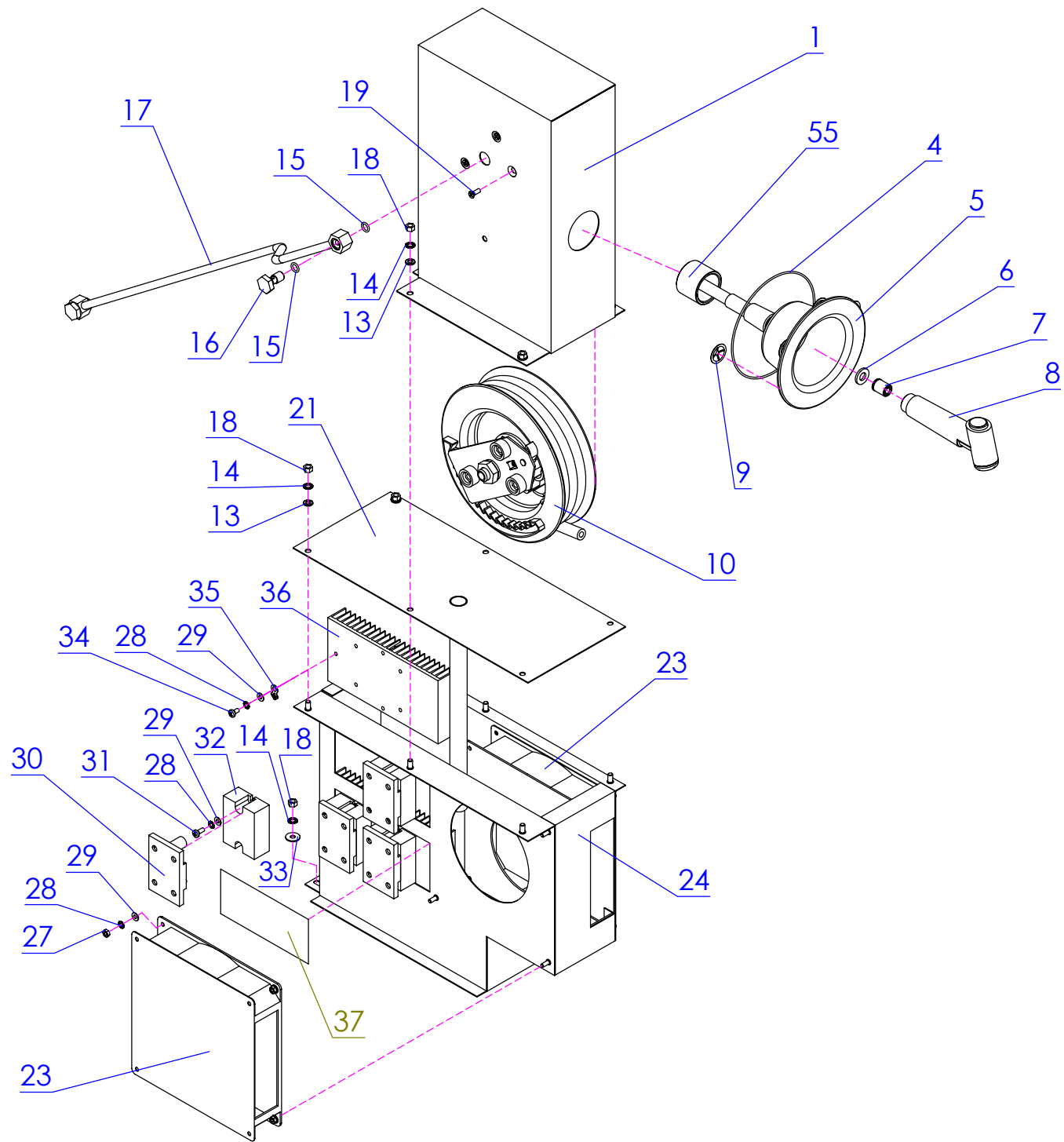


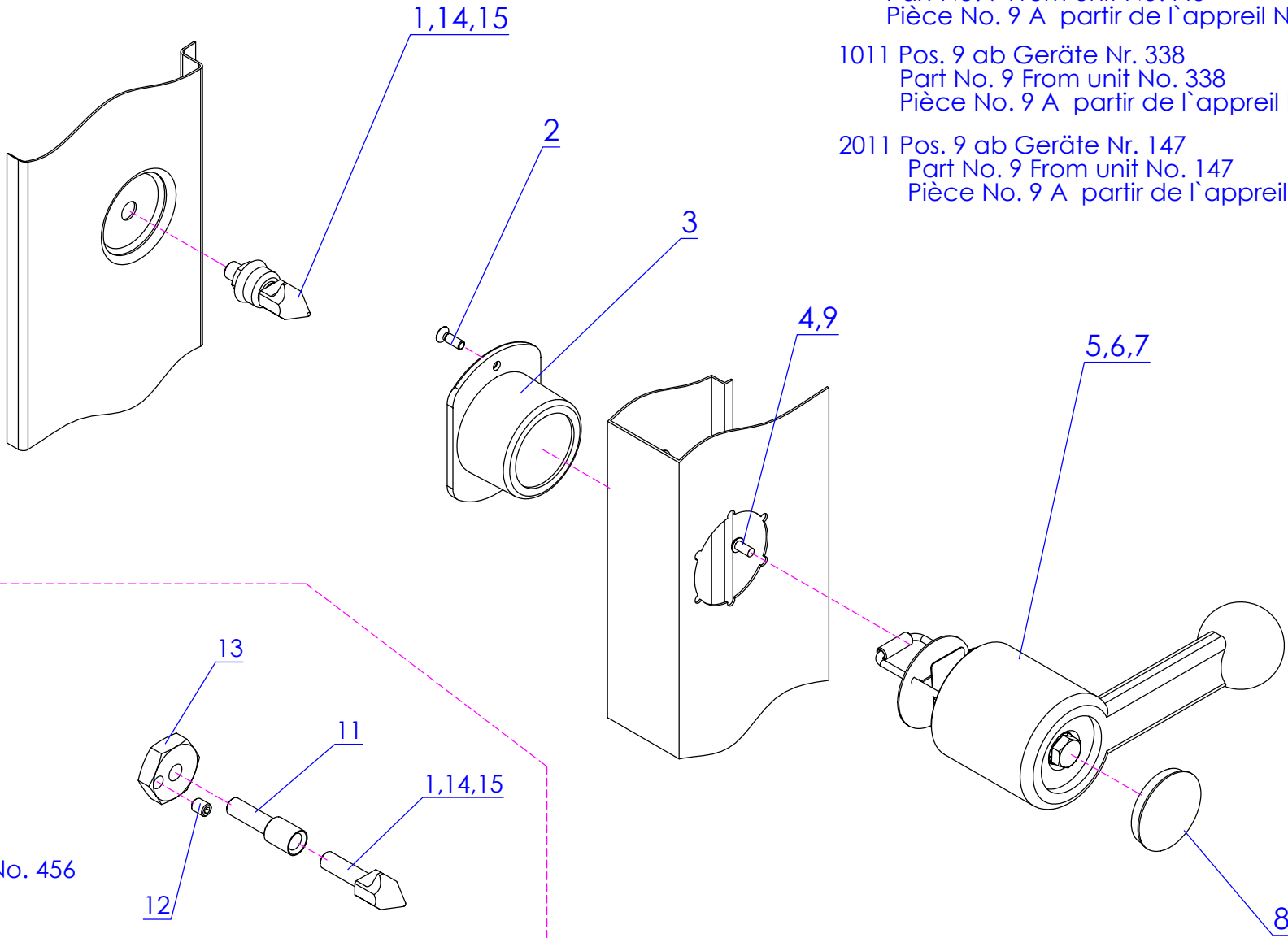












611 Pos. 9 ab Geräte Nr. 443
 Part No. 9 From unit No.443
 Pièce No. 9 A partir de l'appareil No. 443

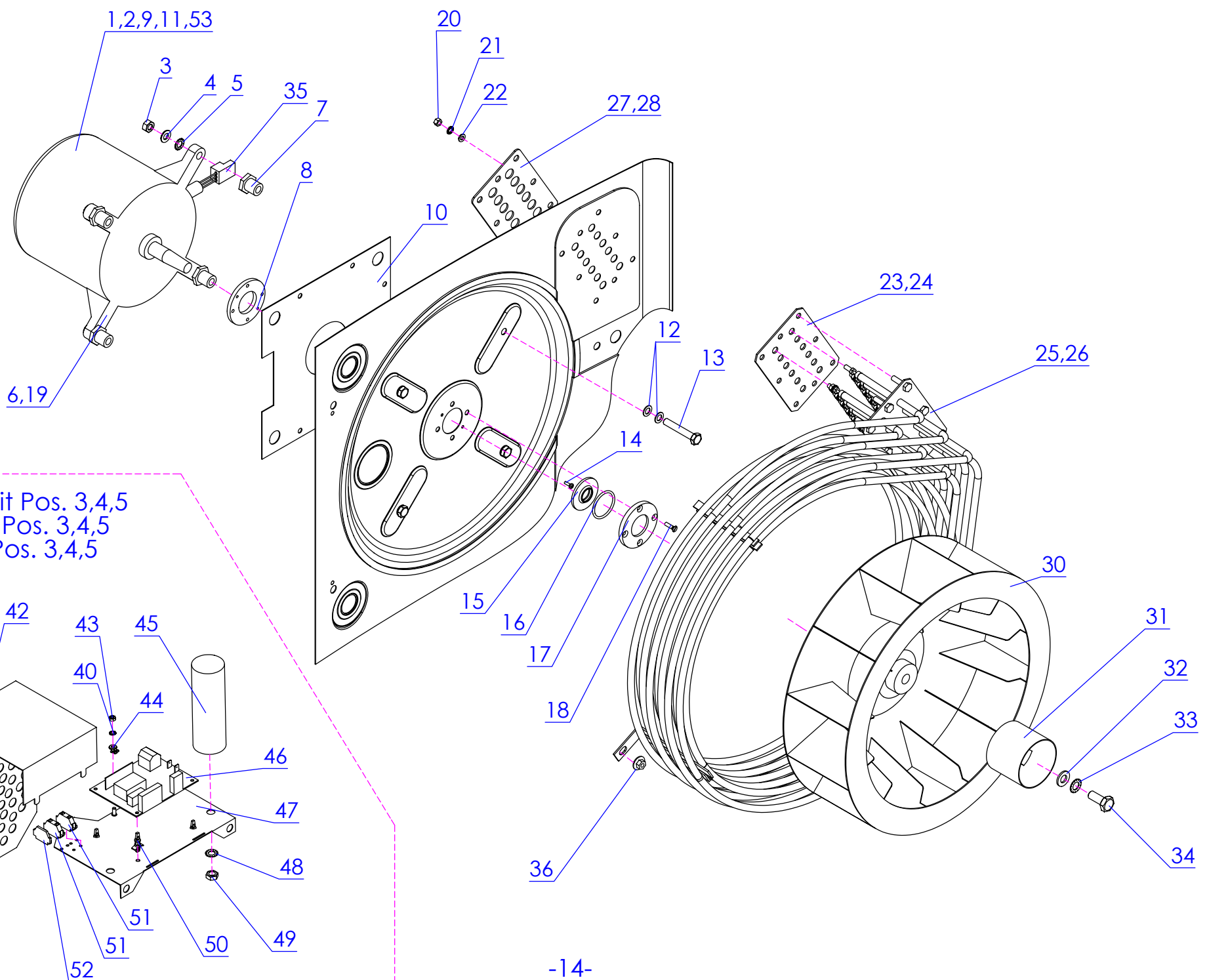
1011 Pos. 9 ab Geräte Nr. 338
 Part No. 9 From unit No. 338
 Pièce No. 9 A partir de l'appareil No. 338

2011 Pos. 9 ab Geräte Nr. 147
 Part No. 9 From unit No. 147
 Pièce No. 9 A partir de l'appareil No. 147

611 ab Geräte Nr. 456
 From unit No. 456
 A partir de l'appareil No. 456

1011 ab Geräte Nr. 366
 From unit No. 366
 A partir de l'appareil No. 366

2011 ab Geräte Nr. 152
 From unit No.152
 A partir de l'appareil No. 152



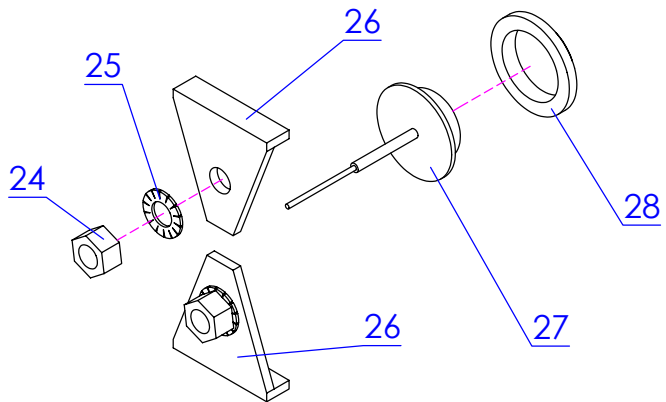
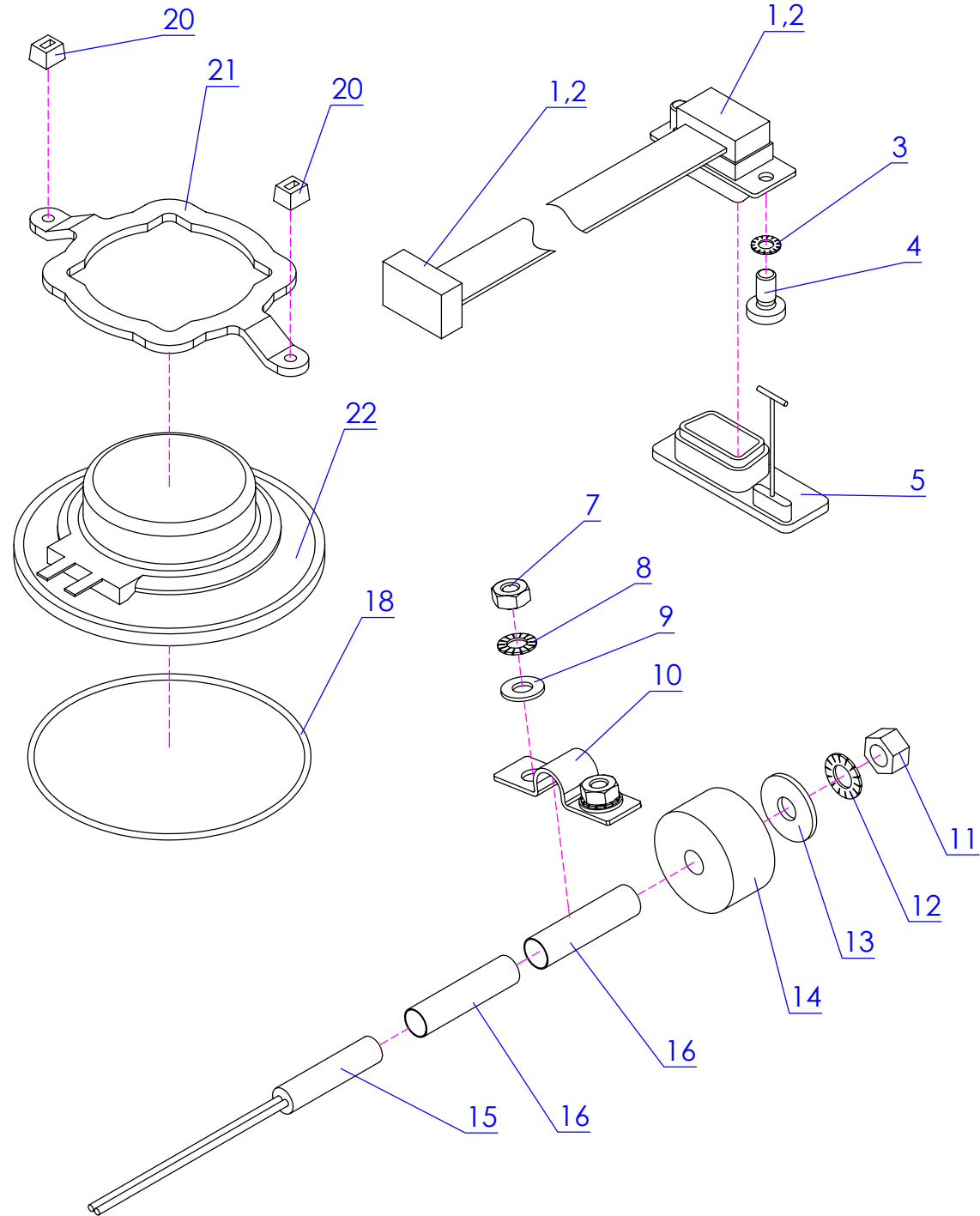
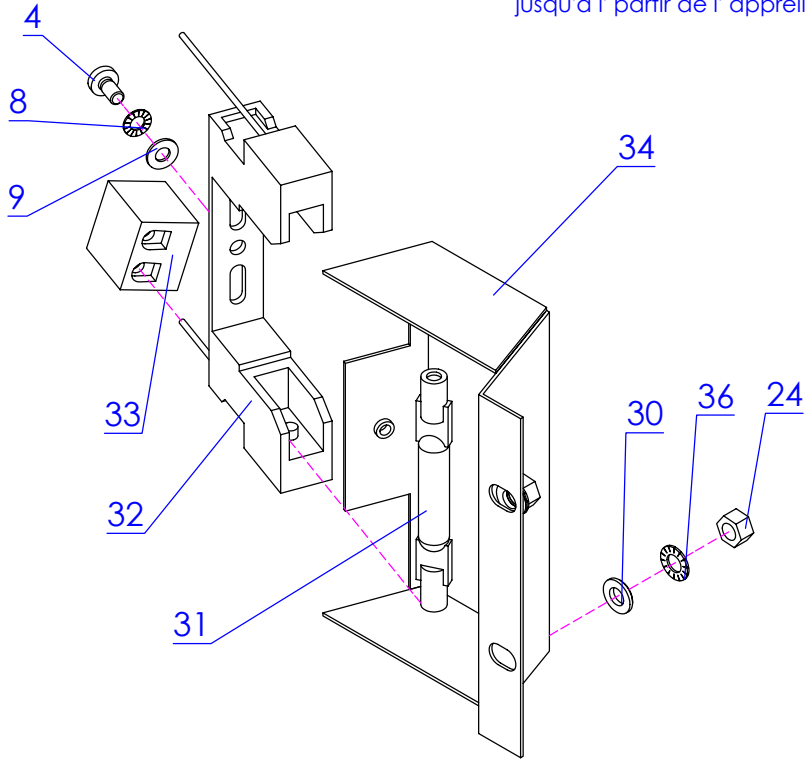
befestigt mit Pos. 3,4,5
 fasten with Pos. 3,4,5
 fixer avec Pos. 3,4,5

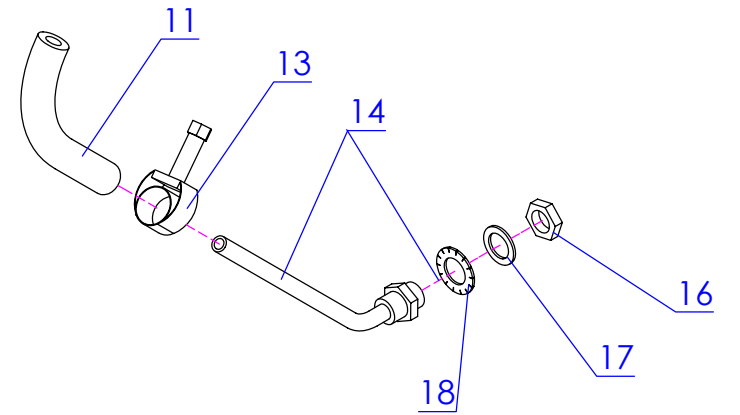
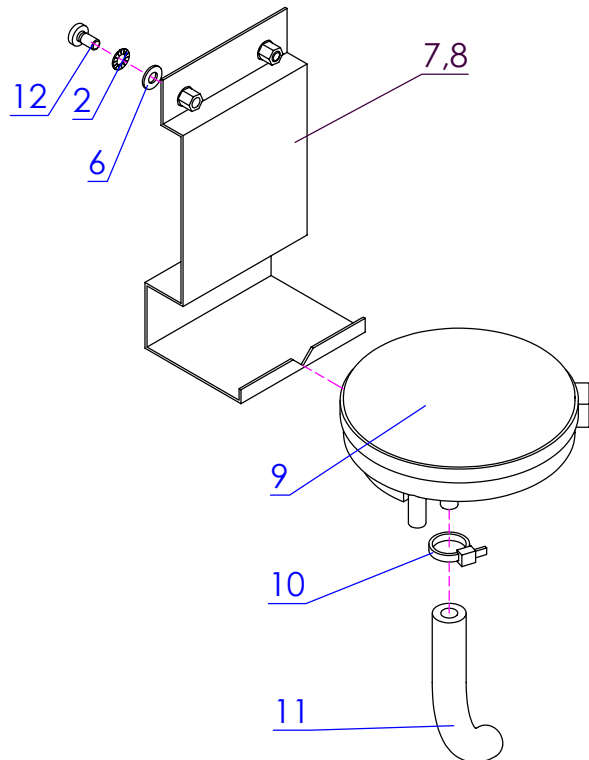
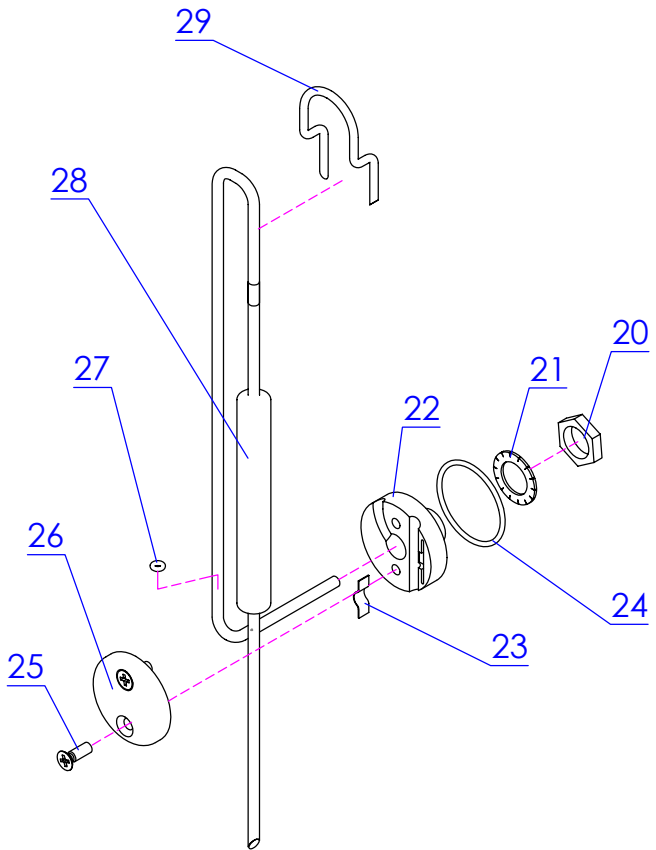
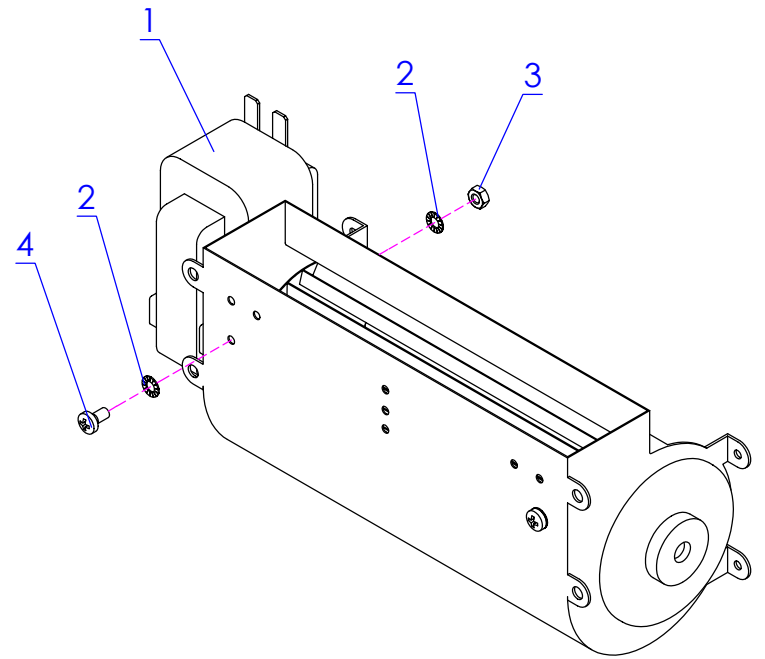
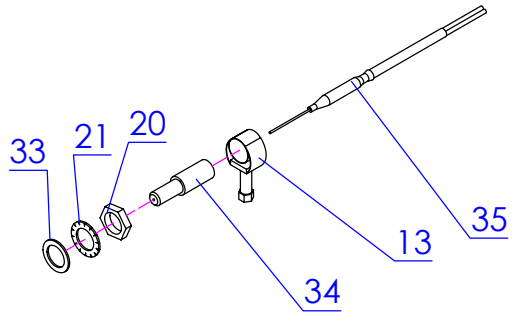
Achtung! Aufbauänderung siehe Seite 26
Attention! Modified construction see page 26
Attention! Construction modifiée voir page 26

611 bis Geräte Nr. 227
Up to unit No. 227
jusqu'à l' partir de l'appreil No. 227

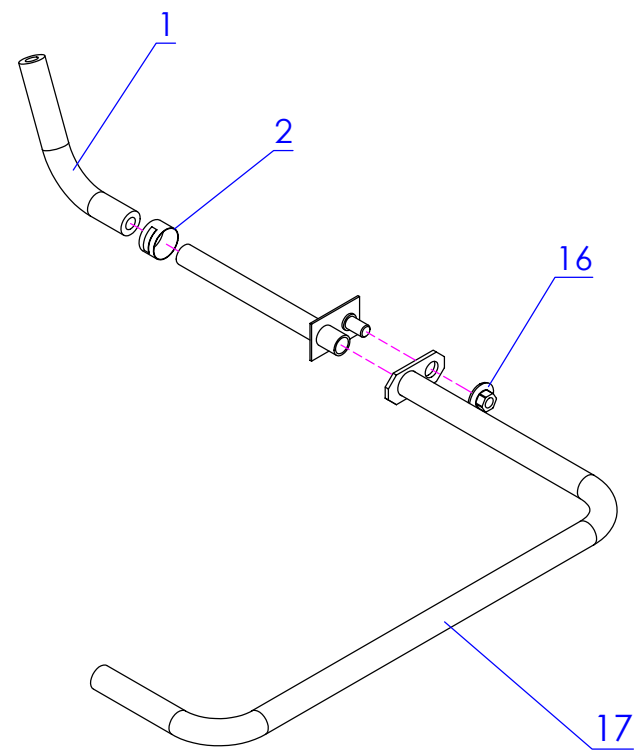
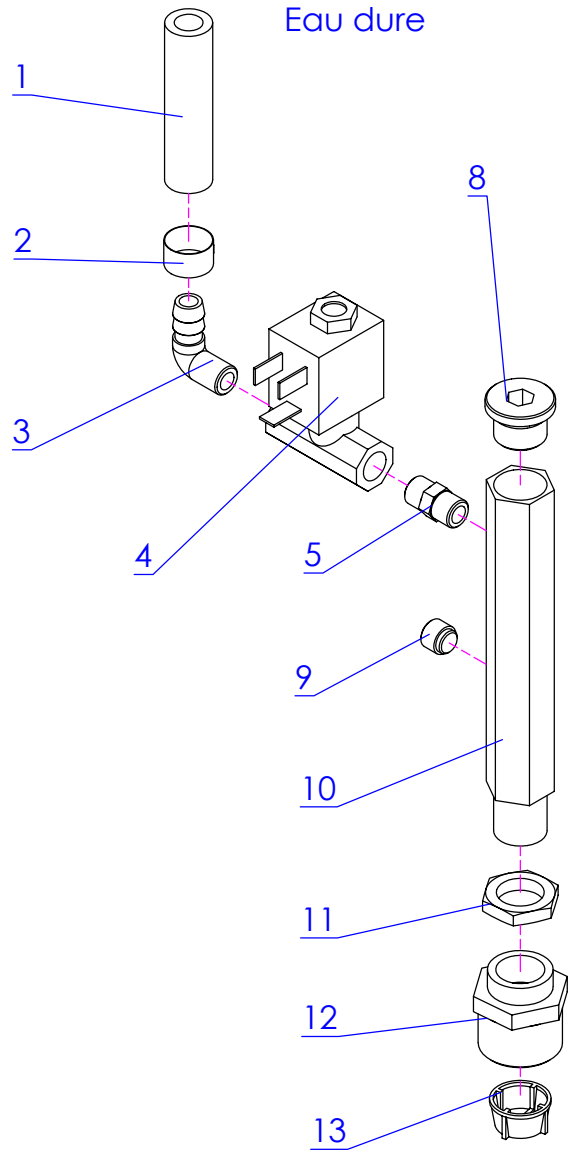
1011 bis Geräte Nr. 188
Up to unit No. 188
jusqu'à l' partir de l'appreil No. 188

2011 bis Geräte Nr. 109
Up to unit No. 109
jusqu'à l' partir de l' appareil No. 109

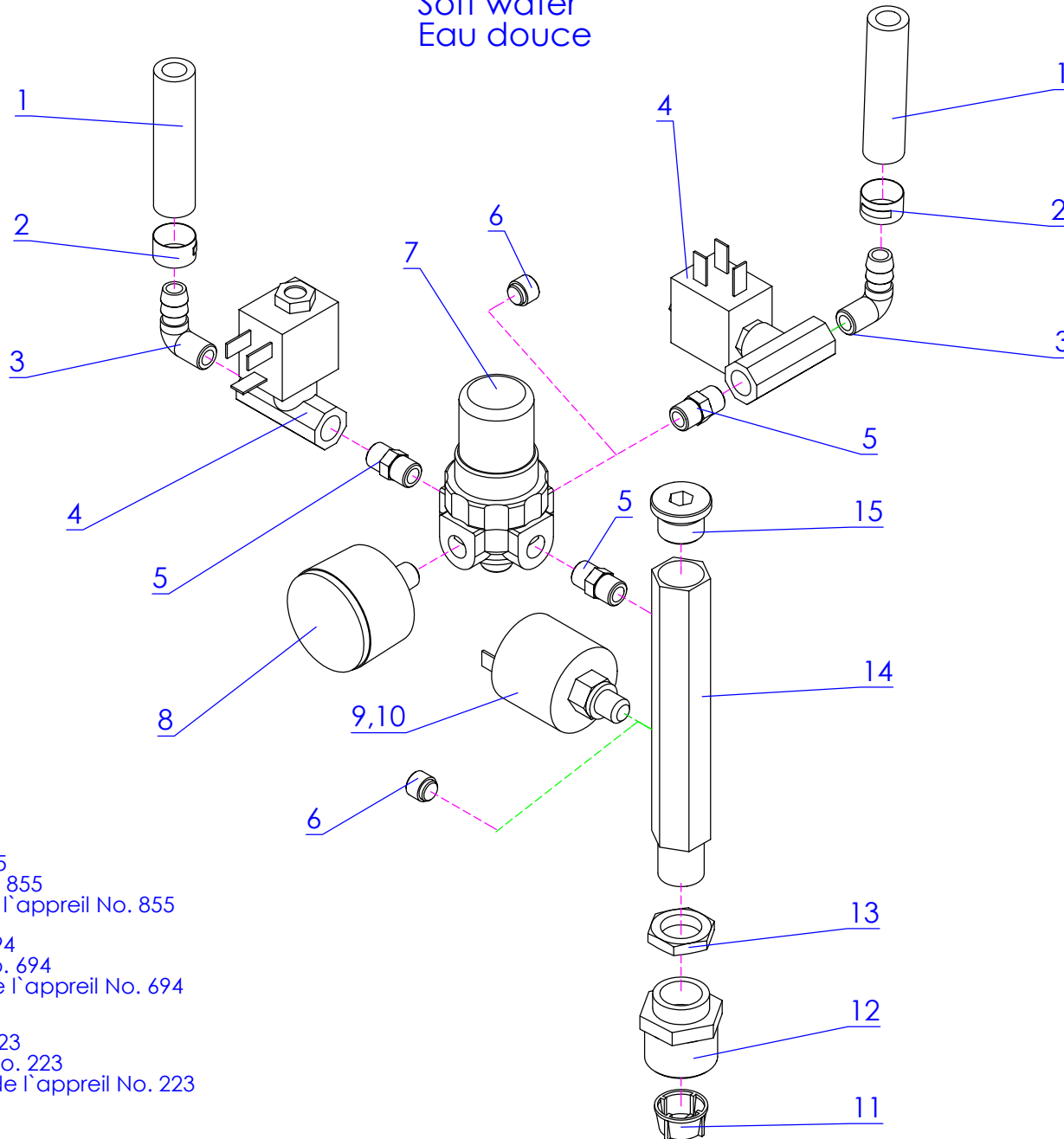




Hartwasser
Hard water
Eau dure



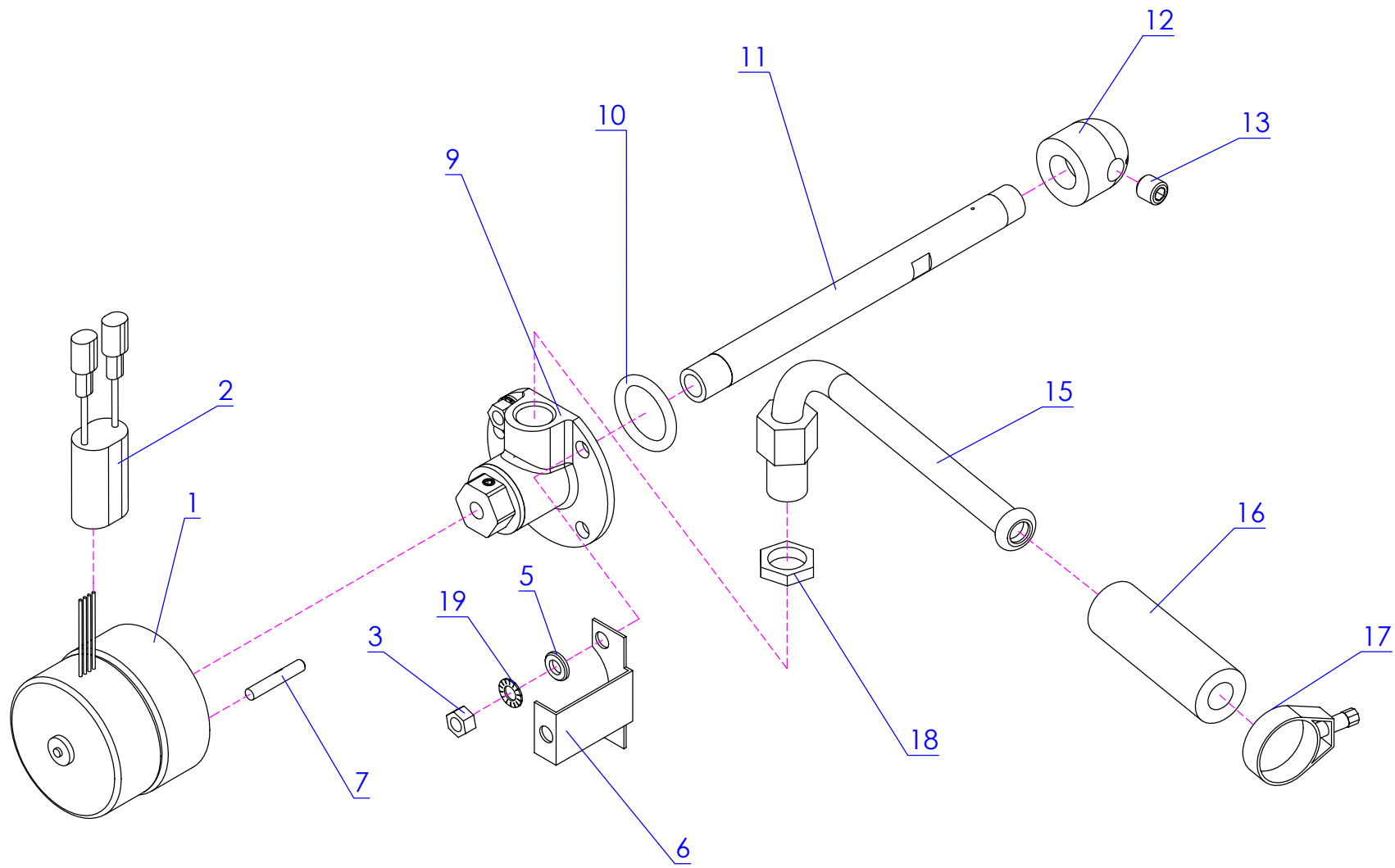
Weichwasser
Soft water
Eau douce

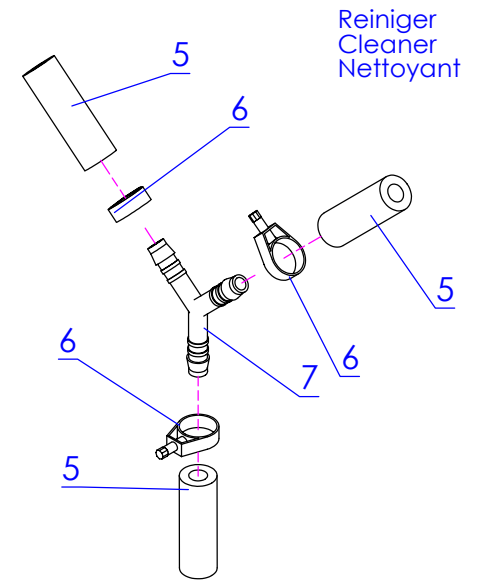
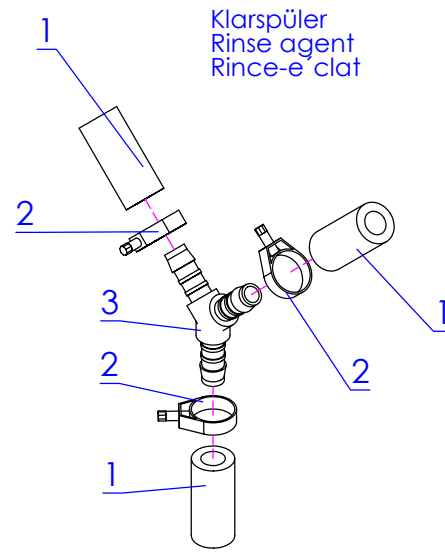
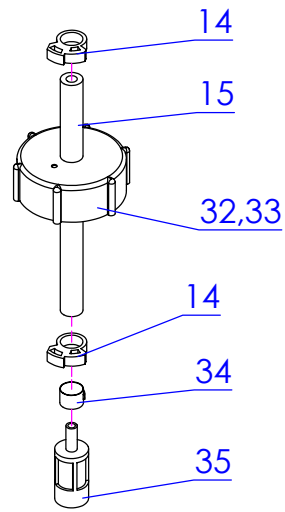
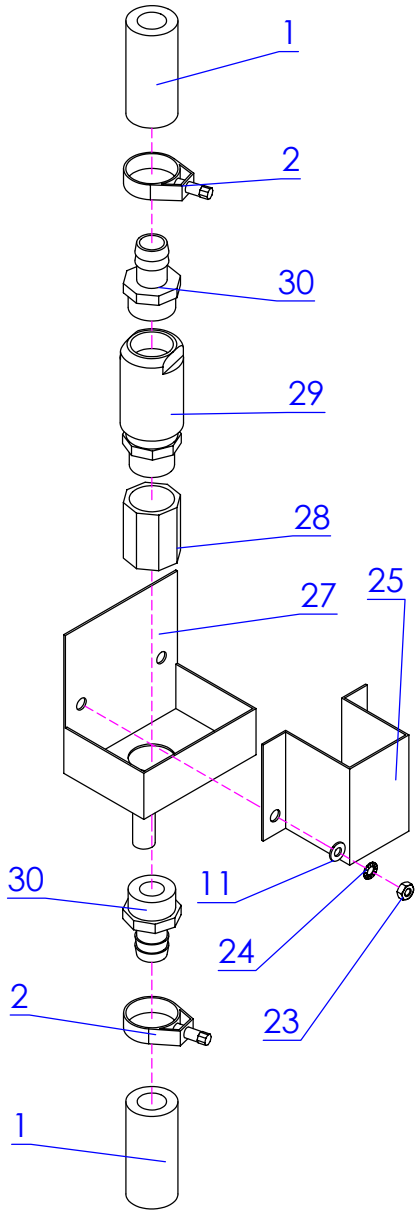


611 Pos. 9 ab Geräte Nr. 855
Part No. 9 From unit No. 855
Pièce No. 9 A partir de l'appareil No. 855

1011 Pos. 9 ab Geräte Nr. 694
Part No. 9 From unit No. 694
Pièce No. 9 A partir de l'appareil No. 694

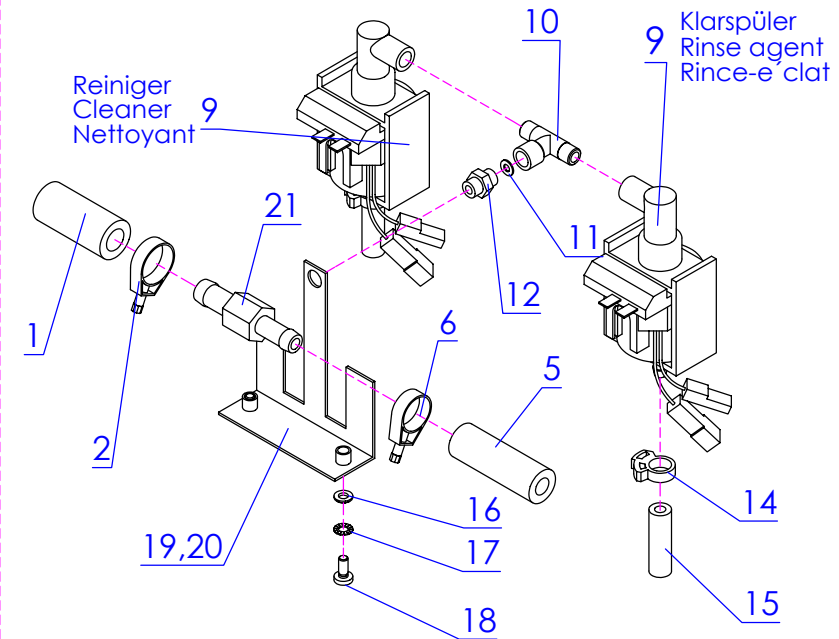
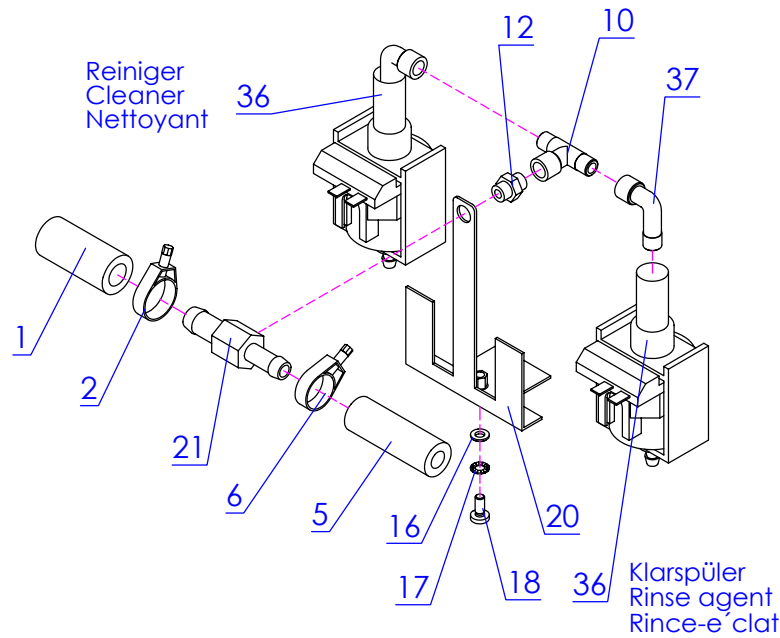
2011 Pos. 9 ab Geräte Nr. 223
Part No. 9 From unit No. 223
Pièce No. 9 A partir de l'appareil No. 223





611 ab Geräte Nr. 789
From unit No. 789
A partir de l'appareil No. 789
1011 ab Geräte Nr. 641
From unit No. 641
A partir de l'appareil No. 641
2011 ab Geräte Nr. 218
From unit No. 218
A partir de l'appareil No. 218

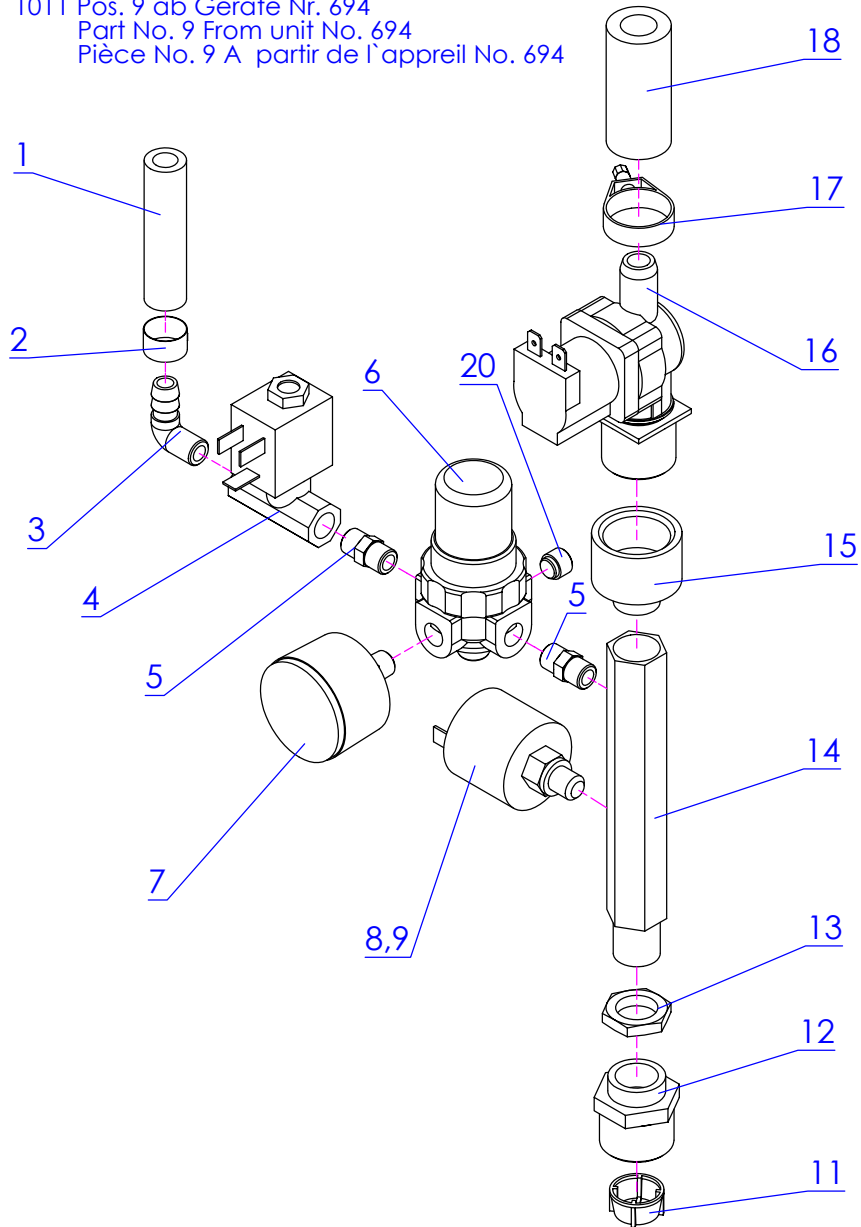
611 bis Geräte Nr. 788
Upto unit No. 788
jusqu'à partir de e`appareil No. 788
1011 bis Geräte Nr. 640
Part Upto unit No. 640
jusqu'à partir de e`appareil No. 640
2011 bis Geräte Nr. 217
Upto unit No. 217
jusqu'à partir de e`appareil No. 217



6-11,10-11

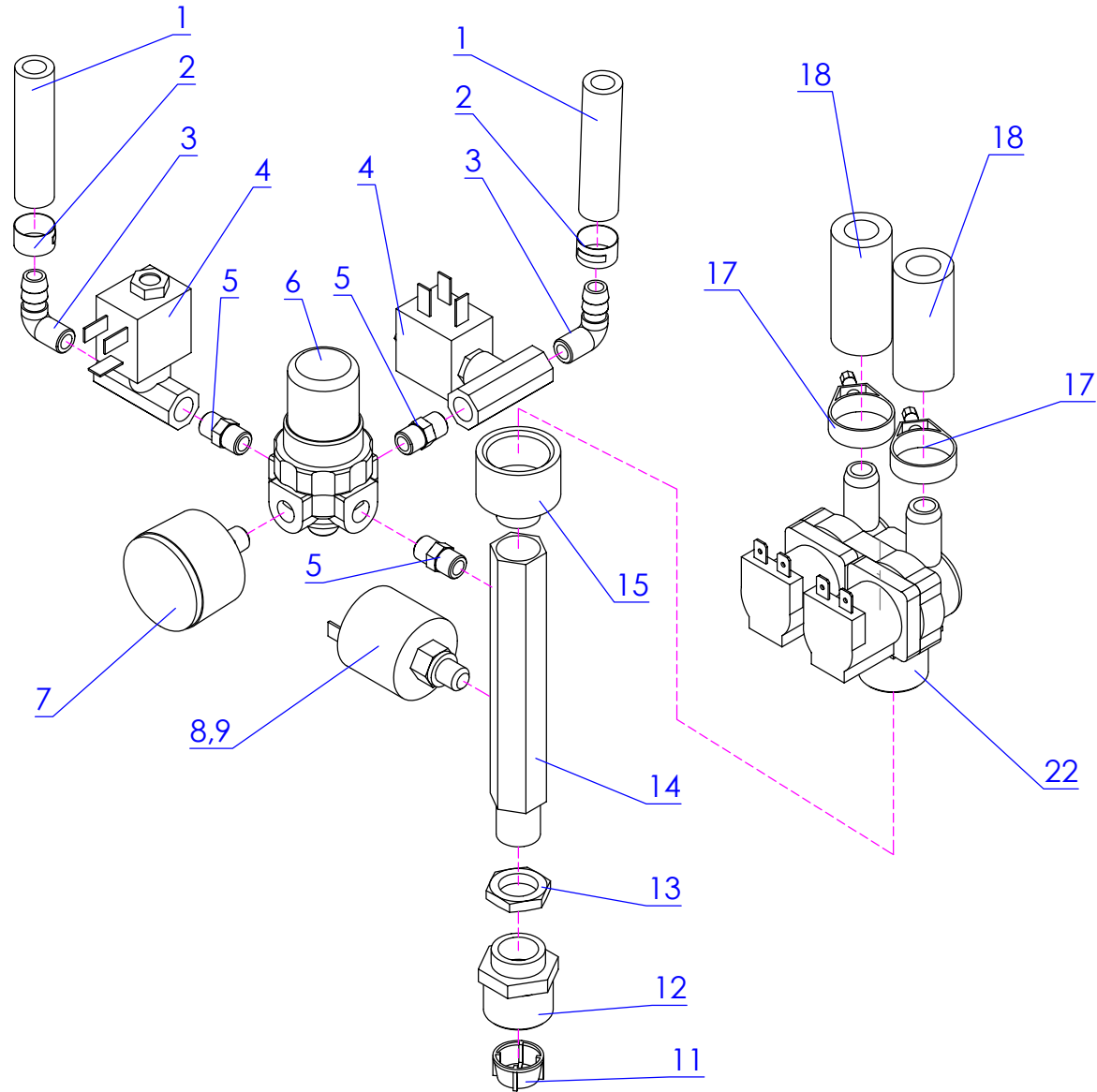
611 Pos. 9 ab Geräte Nr. 855
 Part No. 9 From unit No. 855
 Pièce No. 9 A partir de l'appareil No. 855

1011 Pos. 9 ab Geräte Nr. 694
 Part No. 9 From unit No. 694
 Pièce No. 9 A partir de l'appareil No. 694

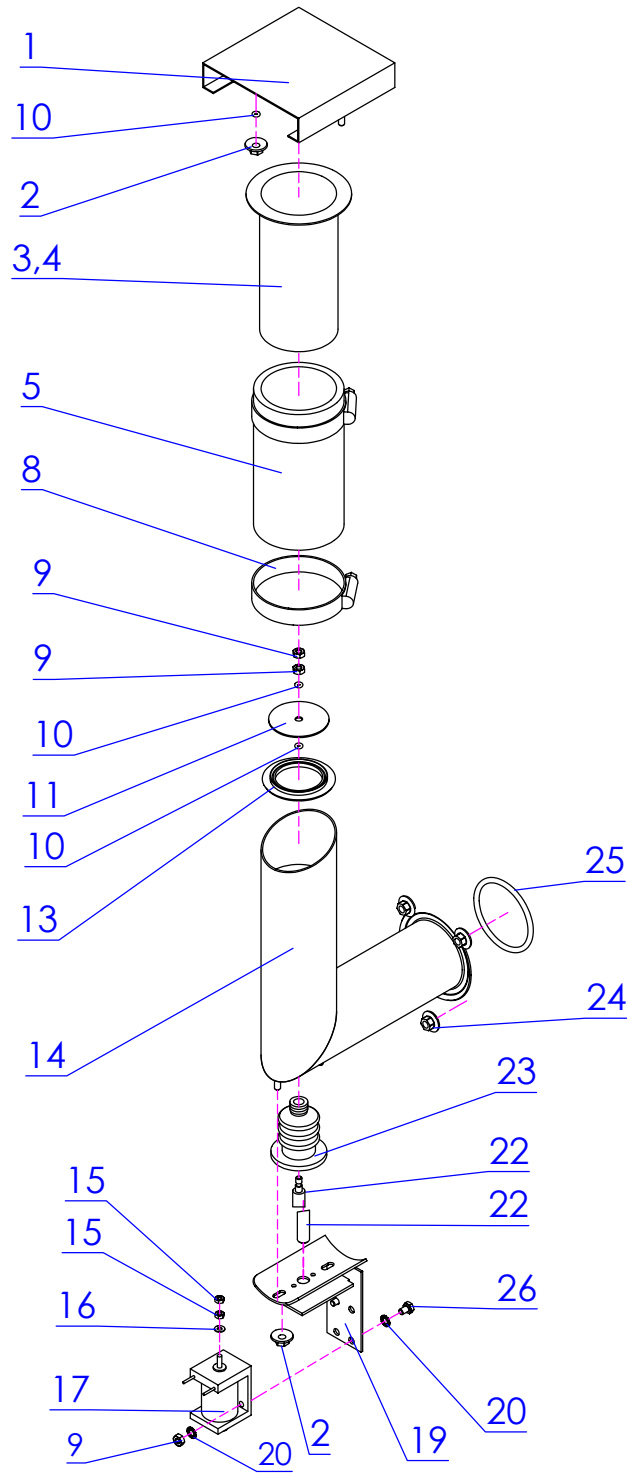


20-11

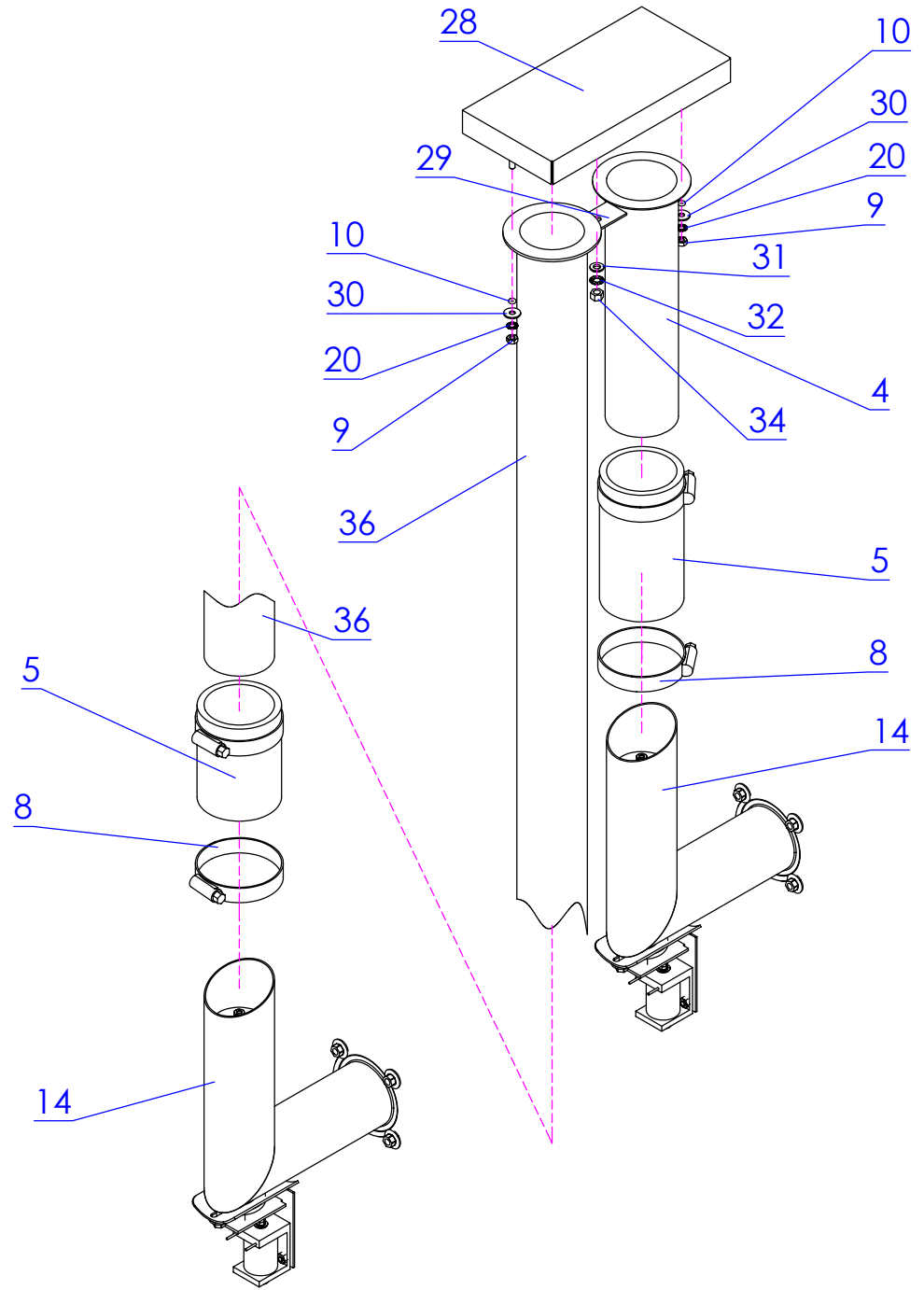
2011 Pos. 9 ab Geräte Nr. 223
 Part No. 9 From unit No. 223
 Pièce No. 9 A partir de l'appareil No. 223

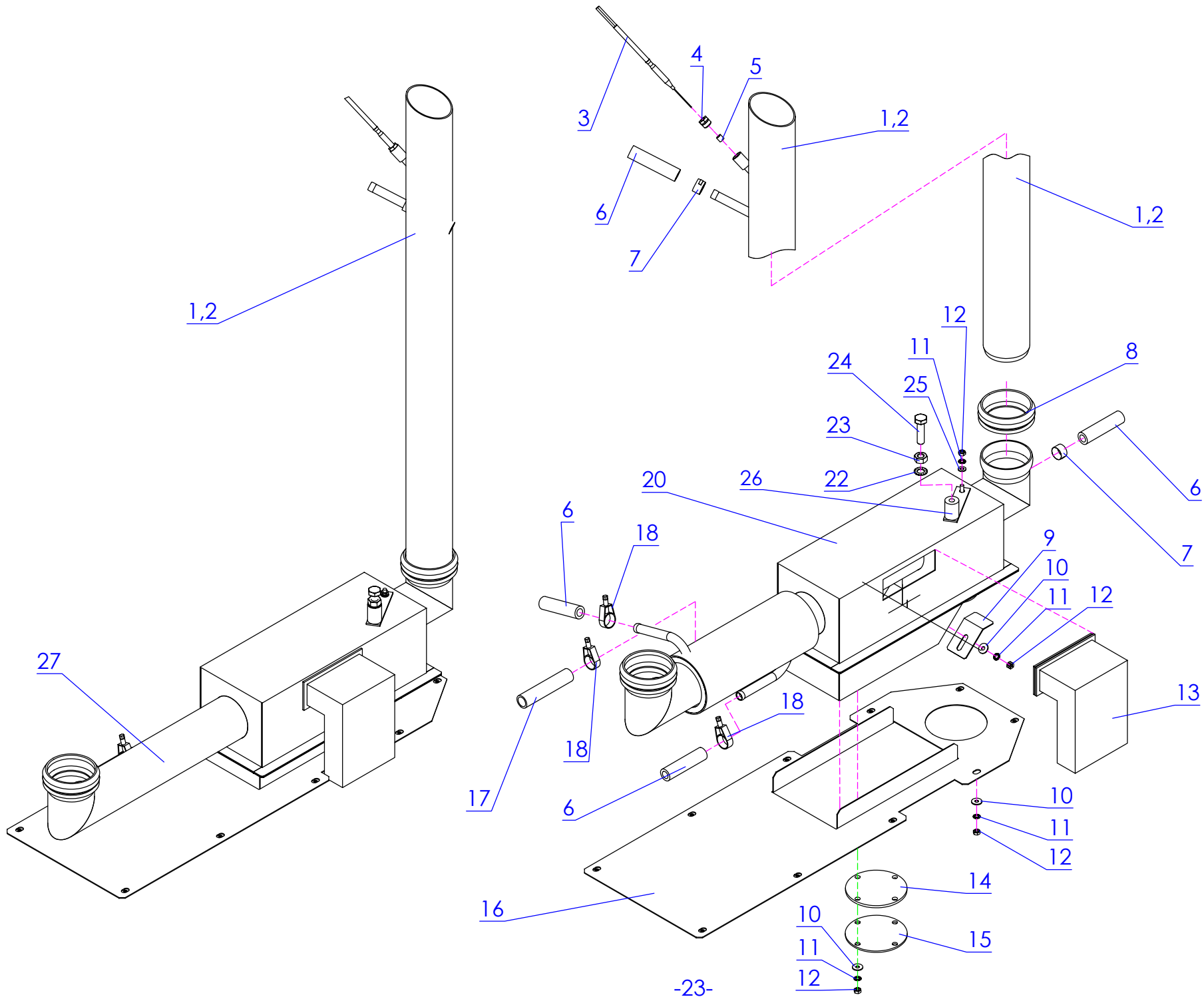


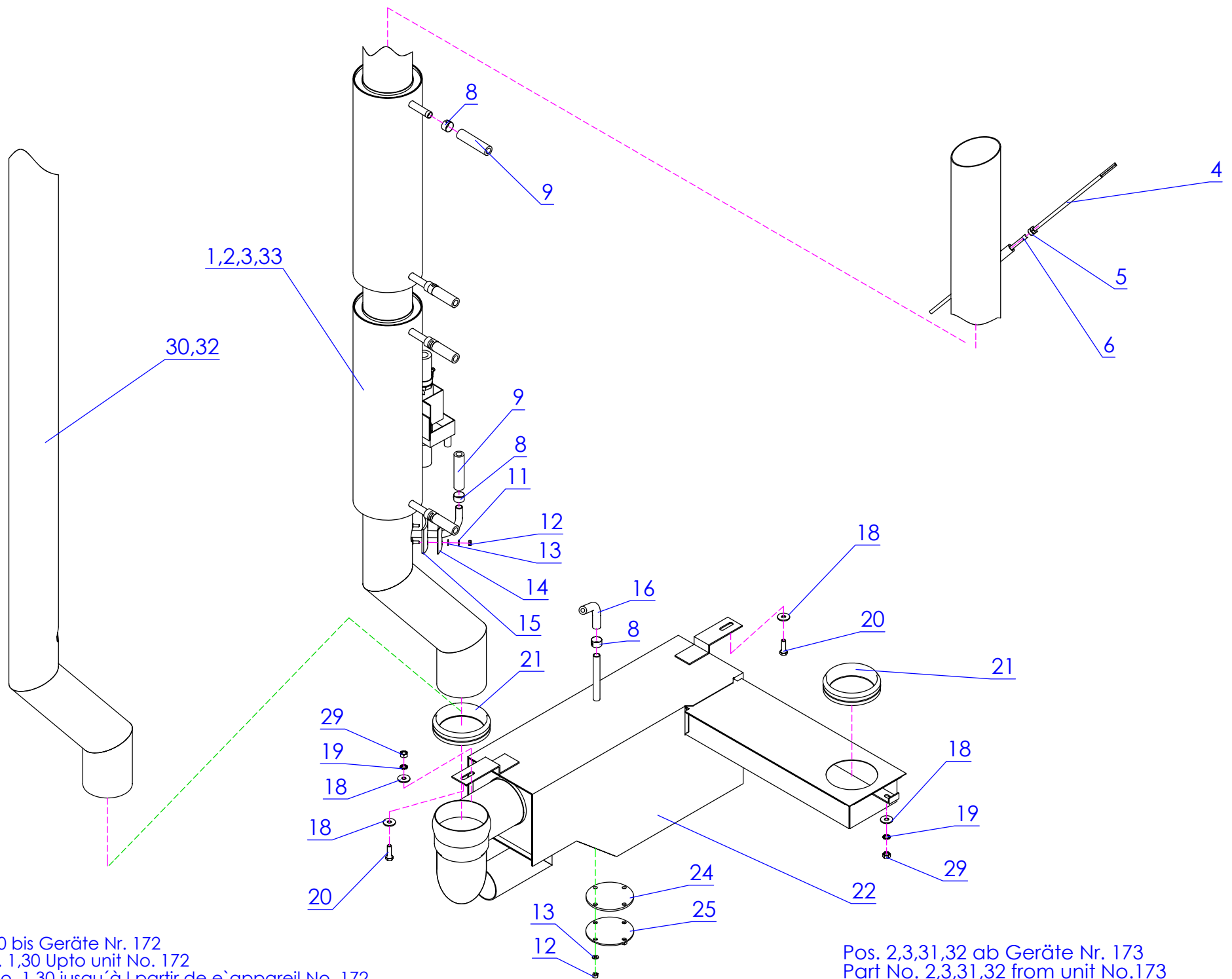
6-11 10-11



20-11

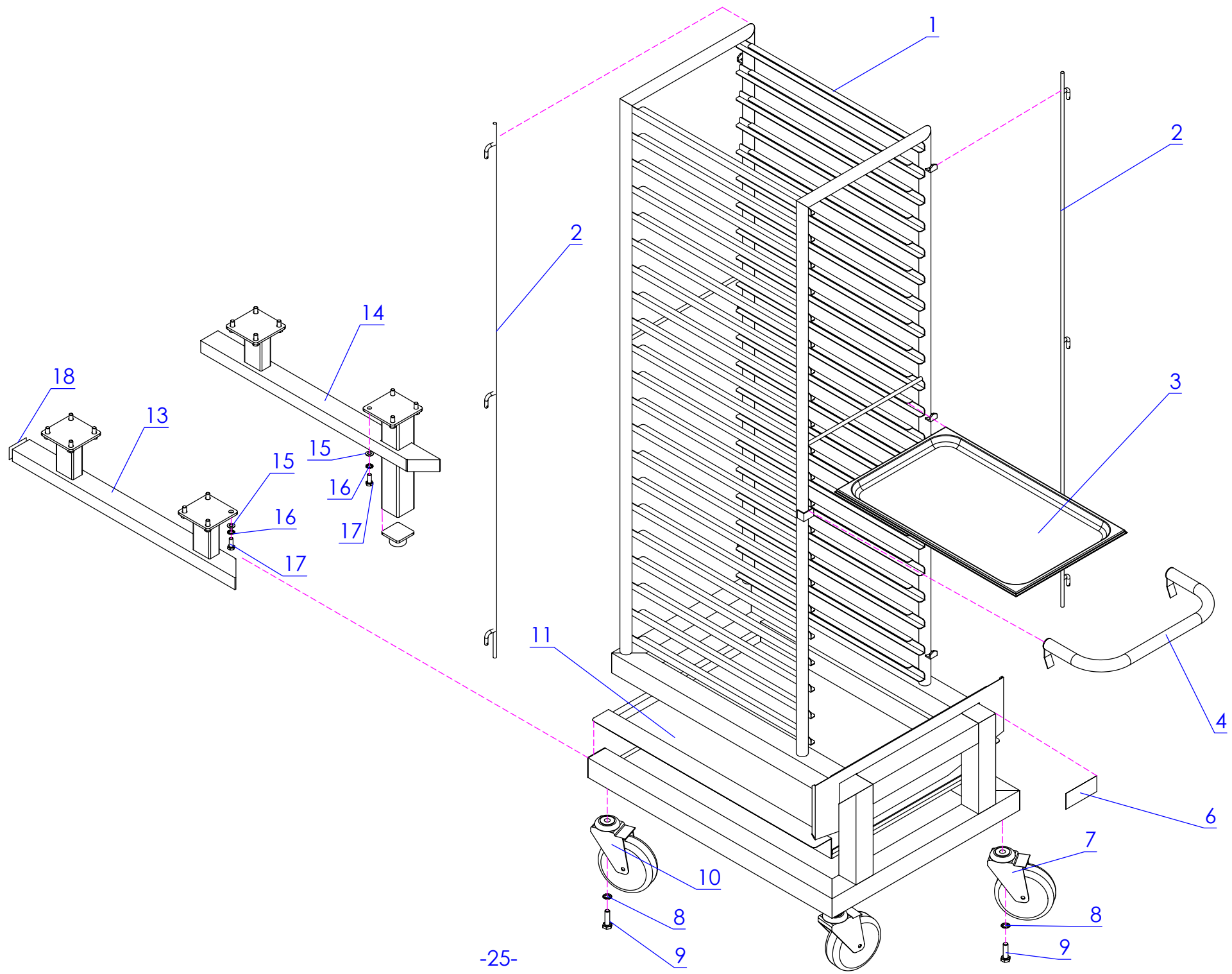






Pos. 1,30 bis Geräte Nr. 172
 Part No. 1,30 Upto unit No. 172
 Pièce No. 1,30 jusqu'à l partir de e`appareil No. 172

Pos. 2,3,31,32 ab Geräte Nr. 173
 Part No. 2,3,31,32 from unit No.173
 Pièce No. 2,3,31,32 à partir de l`appareil No. 173



Achtung! Aufbauänderung siehe Seite 15
Attention! Modified construction see page 15
Attention! Construction modifié voir page 15

611 ab Geräte Nr. 228
From unit No. 228
A partir de l'appareil No. 228

1011 ab Geräte Nr. 189
From unit No. 189
A partir de l'appareil No. 189

2011 ab Geräte Nr. 110
From unit No. 110
A partir de l'appareil No. 110

